



OUR TECHNOLOGY YOUR SKILL



ARTHROSCOPY



Our combined competences in medical endoscopy systems provide global solutions. From now on, SOPRO-COMEG forms the ideal leader with second-to-none "know-how": SOPRO in medical video imaging and COMEG in engineering endoscopy and micro lenses. Since many years, the product lines of SOPRO and COMEG have been setting the standards for image management systems with fully proven quality, efficiency, safety and convenience.

Our goal is to provide the safest and most advanced products and technologies that ensure reliable operating procedures and rapid recovery.

Synergy between our R&D Departments will result in products and systems that offer added clinical benefits and meet the requirements of patients, surgeons and the health care system even more effectively.

Engineers, mechanics, sales representatives... all our staff has one thing in common: their enthusiasm for hard work to serve our customers.

1	Equipmentpage 4
2	Arthroscopy page 8
3	Instrumentation page 17
4	HIP-Arthroscopy page 26
5	Spare parts page 27
6	Accessories page 30
7	General Information page 31

Equipment

Arthroscopy

Instrumentation

HIP-Arthroscopy

Spare parts

Accessories

General Information

3CCD HD camera

Sopro 368 - 3CC HD Camera



Art.-No.	Description
S-368-0005	3CCD HD Camera, PAL, DVI
S-368-0002	3CCD HD Camera, NTSC, DVI
S-367-0002	18 mm Coupler
203024	16-34mm Zoom Coupler

Xenon light source

Sopro 230 Xenon light source



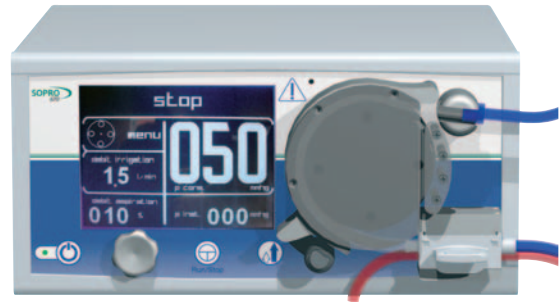
Art.-No.	Description
S-230-0002	300 Watts, EU Power Cord
S-230-0005	300 Watts, US Power Cord
700060*	Light cable 2.30m, diam: 4.8mm

*Delivered without connector

For more information concerning these devices and our full range of products, please refer to the Equipment catalogue.

Arthroscopy irrigation pump

Sopro 670



Art.-No.	Description
S-670-0001	EU Power Cord*
S-670-0002	US Power Cord*

* Not for US market

Arthroscopy shaver system

Sopro 680



Art.-No.	Description
700089	Arthroscopy Shaver complete set

For more information concerning these devices and our full range of products, please refer to the Equipment catalogue.

LCD surgical color display

BARCO MDSC-1119



Art.-No.	Description
700056	19"HD, 1.3 Mega pixel color LCD display

17" LCD Computer Point-of-Care Terminal

Touch screen display with integrated computer



Art.-No.	Description
700078	17" LCD Point-of-Care Terminal

For more information concerning these devices and our full range of products, please refer to the Equipment catalogue.

Medical cart

Medical cart

This compact medical cart offers maximal flexibility and optimizes your working time.



Art.-No.	Description
700079	Medical cart

Mini arthroscope

Mini Arthroscope Ø 1.9 mm

wrists and ankle joints
jaw joint
pediatric arthroscopy

Autoclavable



Art.-No.	Direction of view	Working length
161 191 040	0°	104 mm

Further information about dimensions you will find on page 16.

Sheaths

Sheath, 1 stopcock fix

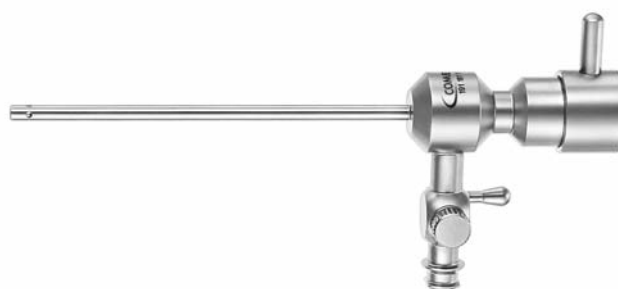
for telescope Ø 1.9 mm
for use with telescope 0°



Art.-No.	Working length
191 191 011	73 mm

Sheath, 1 stopcock fix, high flow

for telescope Ø 1.9 mm
for use with telescope 0°



Art.-No.	Working length
191 191 111	73 mm

Trocars

Trocars



Art.-No.	For telescope Ø	Working length
191 191 045	1.9 mm	73 mm
191 191 145	1.9 mm, high flow	73 mm

Obturator

Obturator



Art.-No.	For telescope Ø	Working length
191 191 046	1.9 mm	73 mm
191 191 146	1.9 mm, high flow	73 mm

Arthroscopes

Arthroscope Ø 2.4 mm

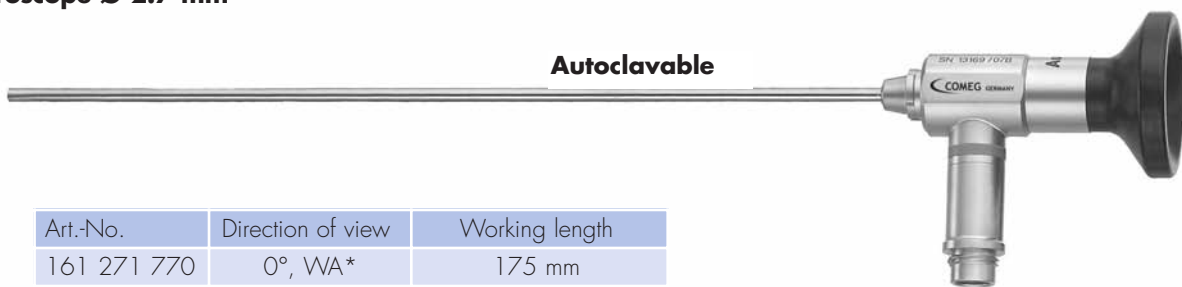
Autoclavable



Art.-No.	Direction of view	Working length
161 240 980	0°, WA*	98 mm
161 240 982	30°, WA*	98 mm

Arthroscope Ø 2.7 mm

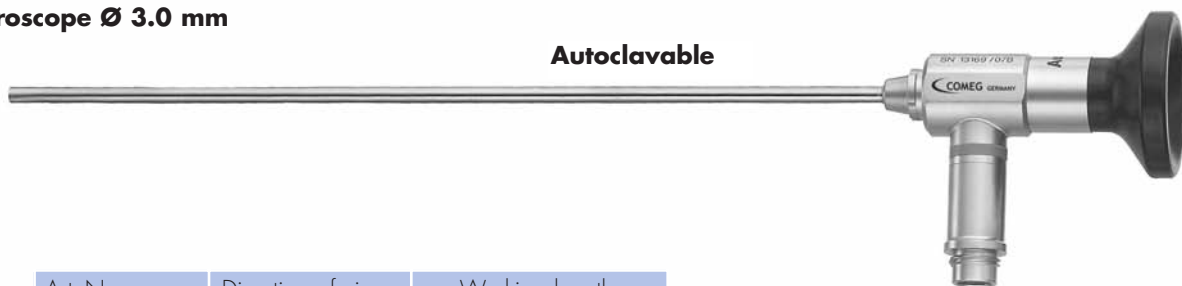
Autoclavable



Art.-No.	Direction of view	Working length	
161 271 770	0°, WA*	175 mm	
161 271 772	30°, WA*	175 mm	
161 271 775	70°, WA*	175 mm	
161 271 190	0°, WA*	118 mm	NEW
161 271 192	30°, WA*	118 mm	NEW

Arthroscope Ø 3.0 mm

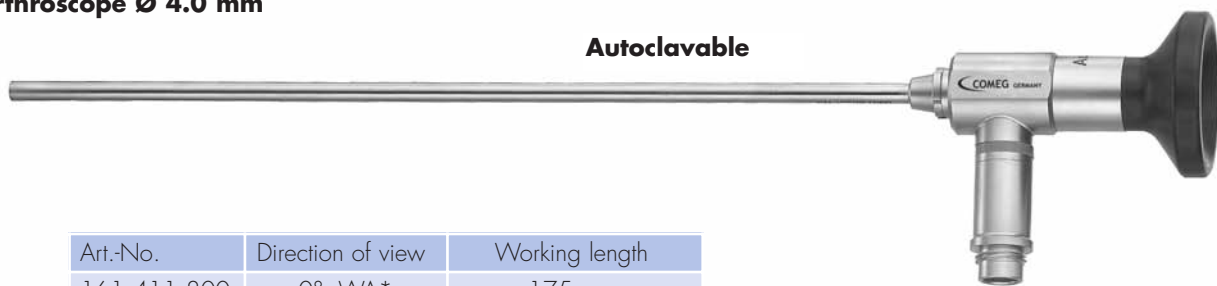
Autoclavable



Art.-No.	Direction of view	Working length	
161 311 162	30°, WA*	118mm	NEW

Arthroscope Ø 4.0 mm

Autoclavable



Art.-No.	Direction of view	Working length
161 411 800	0°, WA*	175 mm
161 411 802	30°, WA*	175 mm
161 411 803	45°, WA*	175 mm
161 411 805	70°, WA*	175 mm

*WA : "Wide angle" telescopes provide a bigger field of view.

Sheaths

Sheath, 1 stopcock fix

for telescopes Ø 2.4 mm
for use with telescopes 0° and 30°



Art.-No.	Working length
191 240 931	69 mm

Sheath, 1 stopcock rotatable, high flow

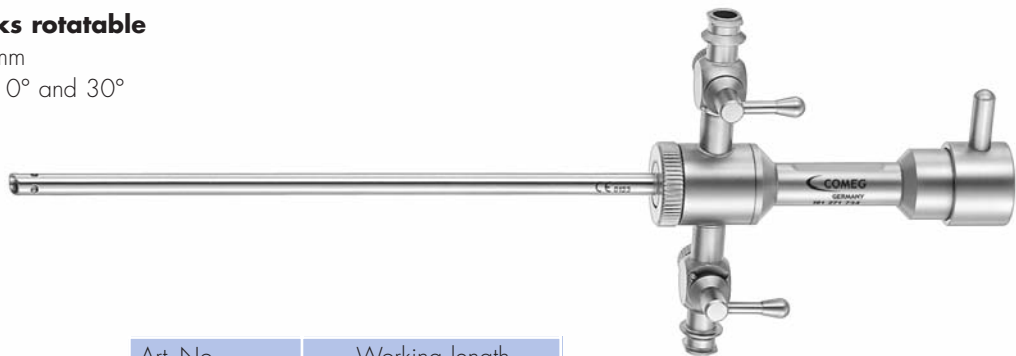
for telescopes Ø 2.4 mm
for use with telescopes 0° and 30°



Art.-No.	Working length
191 240 933	69mm
191 241 933	69 mm high flow

Sheath, 2 stopcocks rotatable

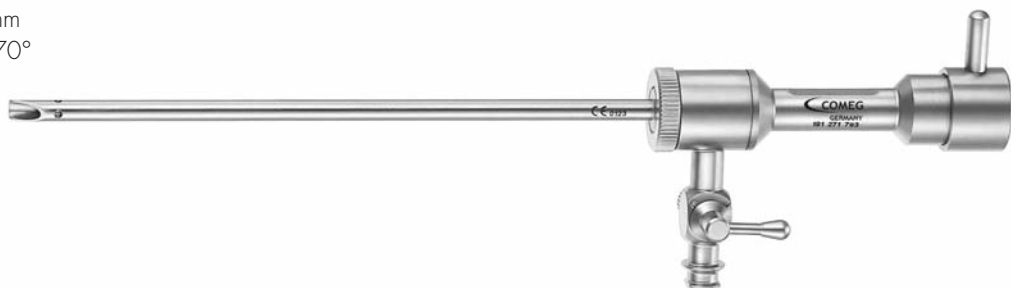
for telescopes Ø 2.7 mm
for use with telescopes 0° and 30°



Art.-No.	Working length
191 271 734	119 mm

Sheath, 1 stopcock rotatable

for telescopes Ø 2.7 mm
for use with telescope 70°



Art.-No.	Working length
191 271 793	119 mm

Sheaths

Sheath, 2 stopcocks fix

for telescopes Ø 4.0 mm
for use with telescopes 0° and 30°



Art.-No.	Working length
191 401 732	119 mm

Sheath, 1 stopcock rotatable

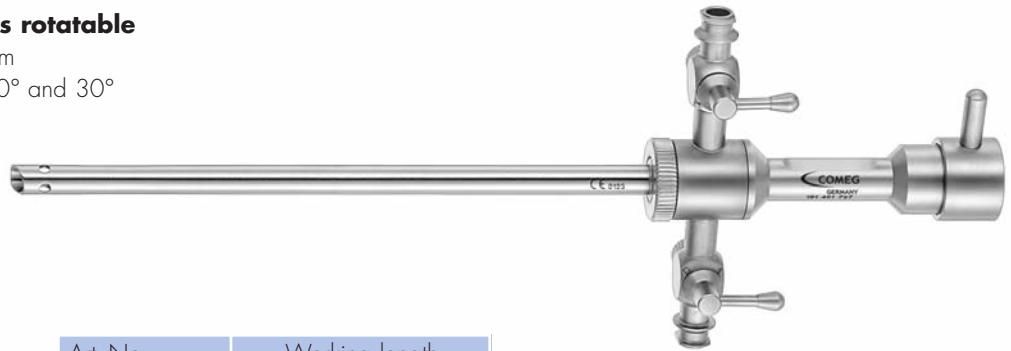
for telescopes Ø 4.0 mm
for use with telescopes 0° and 30°



Art.-No.	Working length
191 401 733	119 mm

Sheath, 2 stopcocks rotatable

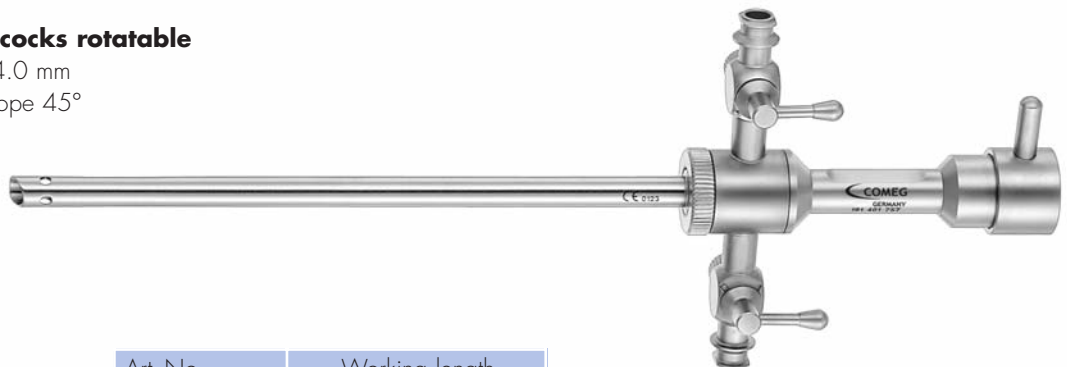
for telescopes Ø 4.0 mm
for use with telescopes 0° and 30°



Art.-No.	Working length
191 401 757	119 mm

Sheath, 2 stopcocks rotatable

for telescopes Ø 4.0 mm
for use with telescope 45°



Art.-No.	Working length
191 401 744	119 mm

Sheaths

Sheath, 1 or 2 stopcocks rotatable

for telescopes Ø 4.0 mm
for use with telescope 70°



Art.-No.	Working length about
191 401 793	119mm 1 rotatable stopcock
191 401 794	119 mm 2 rotatable stopcocks

Sheath, 2 stopcocks fix, high flow

for telescopes Ø 4.0 mm
for use with telescopes 0° and 30°



Art.-No.	Working length about
191 501 732	119 mm

Sheath, 2 stopcocks rotatable, high flow

sheath for telescopes Ø 4.0 mm
for use with telescopes 0° and 30°



Art.-No.	Working length about
191 501 757	119 mm

Trocars with pyramidal tip

Trocar



Art.-No.	For telescope Ø	For sheath working length
191 240 985	2.4 mm	69 mm

Trocar



Art.-No.	For telescope Ø	For sheath working length
191 271 755	2.7 mm	119 mm
191 401 755	4.0 mm	119 mm

Trocar high flow



Art.-No.	For telescope Ø	For sheath working length
191 241 085	2.4 mm, high flow	69 mm

Trocar high flow



Art.-No.	For telescope Ø	For sheath working length
191 501 755	4.0 mm, high flow	119 mm

Obturator with blunt tip

Obturator



Art.-No.	For telescope Ø	For sheath working length
191 240 986	2.4 mm	69 mm

Obturator



Art.-No.	For telescope Ø	For sheath working length
191 271 756	2.7 mm	119 mm
191 401 756	4.0 mm	119 mm

Obturator high flow



Art.-No.	For telescope Ø	For sheath working length
191 241 086	2.4 mm, high flow	69 mm

Obturator high flow

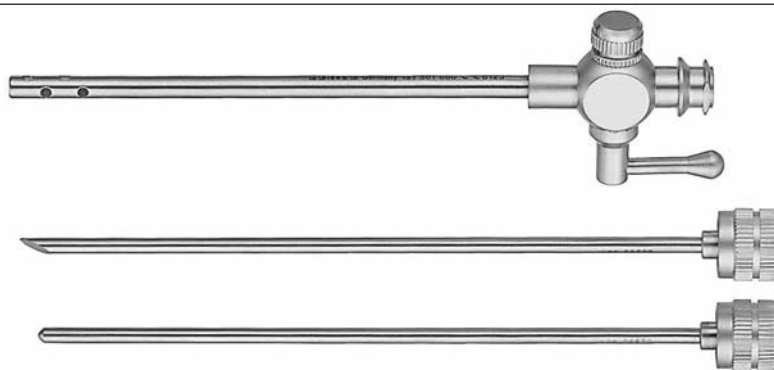


Art.-No.	For telescope Ø	For sheath working length
191 501 756	4.0 mm, high flow	119 mm

Inflow cannulas

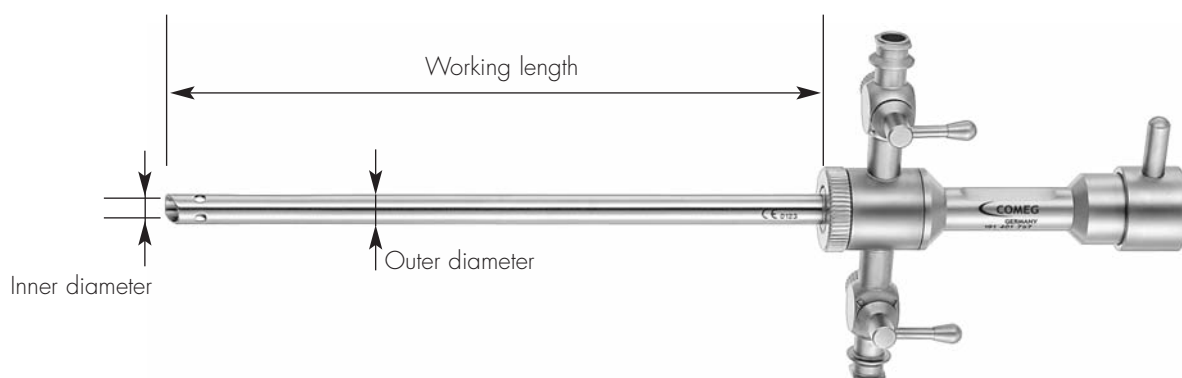
Inflow cannulas

including trocar and obturator



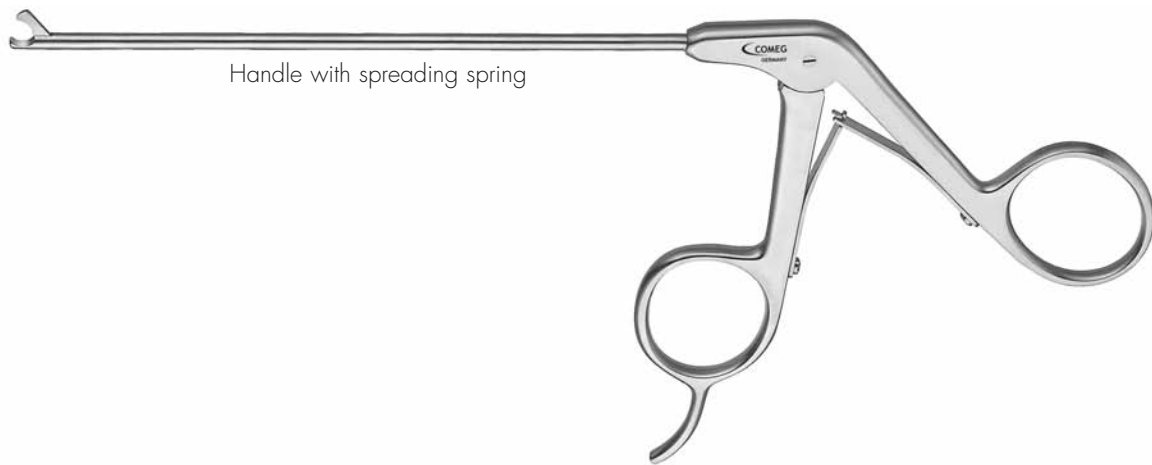
Art.-No.	Outer Ø	Inner Ø	Length
191 501 600	3.2 mm	2.4 mm	70 mm
191 501 603	4.5 mm	3.6 mm	70 mm

Dimensions



Sheath Art.-No.	Description	For scope	Outer Ø in mm	Inner Ø in mm	Working length about in mm
191 191 011	1 stopcock fix	Ø 1.9 / 0°	2.5	2.2	73.0
191 191 111	1 stopcock fix - high flow	Ø 1.9 / 0°	2.9	2.5	73.0
191 240 931	1 stopcock fix	Ø 2.4 / 0°, 30°	3.2	2.8	69.0
191 241 933	1 stopcock rotatable - high flow	Ø 2.4 / 0°, 30°	3.8	3.3	69.0
191 271 734	2 stopcocks rotatable	Ø 2.7 / 0°, 30°	4.0	3.2	119.0
191 271 793	1 stopcock rotatable	Ø 2.7 / 70°	4.0	3.2	119.0
191 401 732	2 stopcocks fix	Ø 4.0 / 0°, 30°	5.6	4.6	119.0
191 401 733	1 stopcock rotatable	Ø 4.0 / 0°, 30°	5.6	4.6	119.0
191 401 757	2 stopcocks rotatable	Ø 4.0 / 0°, 30°	5.6	4.6	119.0
191 401 744	2 stopcocks rotatable	Ø 4.0 / 45°	5.6	4.6	119.0
191 401 794	2 stopcocks rotatable	Ø 4.0 / 70°	5.6	4.6	119.0
191 501 732	2 stopcocks fix - high flow	Ø 4.0 / 0°, 30°	6.5	5.5	119.0
191 501 757	2 stopcocks rotatable - high flow	Ø 4.0 / 0°, 30°	6.5	5.5	119.0

Punches, scissors, biopsy forceps



Handle with spreading spring

Hook scissors



Ø 2.7 mm		Ø 3.4 mm	
Art.-No.	Description	Art.-No.	Description
391 270 000	straight	391 350 000	straight
391 270 013	45° right	391 350 013	45° right
391 270 012	30° right	391 350 012	30° right
391 270 022	30° left	391 350 022	30° left
391 270 023	45° left	391 350 023	45° left

Hook scissors



Ø 3.4 mm	
Art.-No.	Description
391 350 113	45° right angled
391 350 123	45° left angled

Hook punch

with scoop



Ø 2.7 mm		Ø 3.4 mm	
Art.-No.	Description	Art.-No.	Description
391 271 000	straight	391 351 000	straight
391 271 013	45° right	391 351 013	45° right
391 271 012	30° right	391 351 012	30° right
391 271 022	30° left	391 351 022	30° left
391 271 023	45° left	391 351 023	45° left

Equipment

Arthroscopy

Instrumentation

HIP-Arthroscopy

Spare parts

Accessories

General Information

Punches

Hook punch blunt



Ø 2.7 mm		Ø 3.4 mm	
Art.-No.	Description	Art.-No.	Description
391 272 000	straight	391 352 000	straight
391 272 013	45° right	391 352 013	45° right
391 272 012	30° right	391 352 012	30° right
391 272 022	30° left	391 352 022	30° left
391 272 023	45° left	391 352 023	45° left

Biopsy forceps



Art.-No.	Ø
391 350 300	3.4 mm

Punch upside retrograde cutting



Art.-No.	Ø
391 350 310	3.4 mm

Punch with scoop



Ø 3.4 mm	
Art.-No.	Description
391 351 113	45° right angled
391 351 123	45° left angled

Punch blunt



Ø 3.4 mm	
Art.-No.	Description
391 352 113	45° right angled
391 352 123	45° left angled

Square punch with scoop



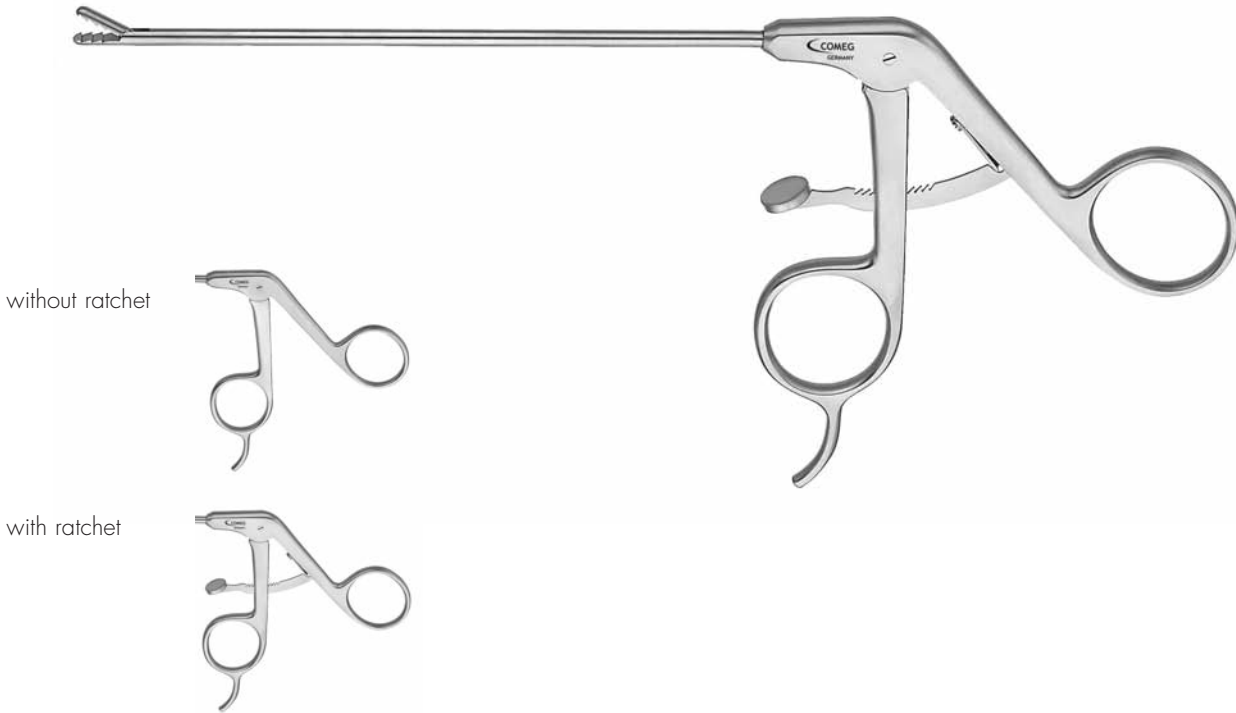
Ø 3.4 mm	
Art.-No.	Description
391 351 117	90° right angled
391 351 127	90° left angled

Punch blunt



Ø 3.4 mm	
Art.-No.	Description
391 352 117	90° right angled
391 352 127	90° left angled

Grasping forceps



without ratchet

with ratchet

Grasping forceps serrated



Ø 2.7 mm		Ø 3.4 mm	
Art.-No.	Description	Art.-No.	Description
391 273 050	without ratchet	391 353 050	without ratchet
391 273 060	with ratchet	391 353 060	with ratchet

Grasping forceps 1 x 2 teeth



Ø 3.4 mm	
Art.-No.	Description
391 354 250	without ratchet
391 354 260	with ratchet

Grasping forceps 1 x 2 teeth fine



Ø 3.4 mm	
Art.-No.	Description
391 354 350	without ratchet
391 354 360	with ratchet

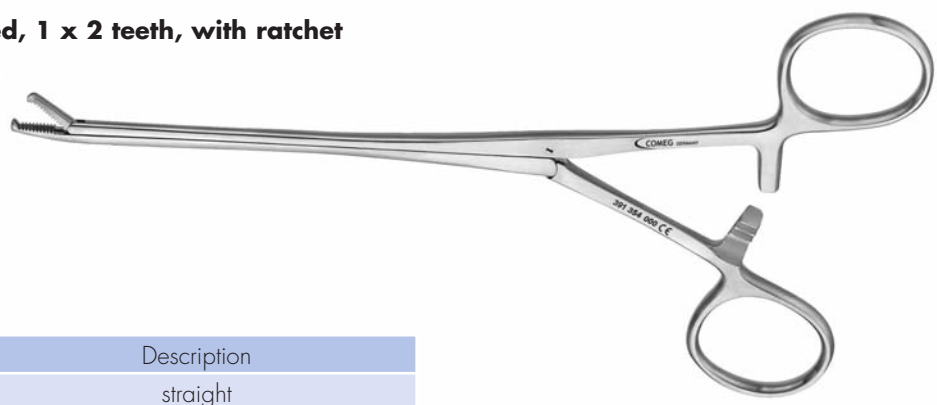
Grasping and biopsy forceps



Ø 3.4 mm	
Art.-No.	Description
391 355 050	without ratchet
391 355 060	with ratchet

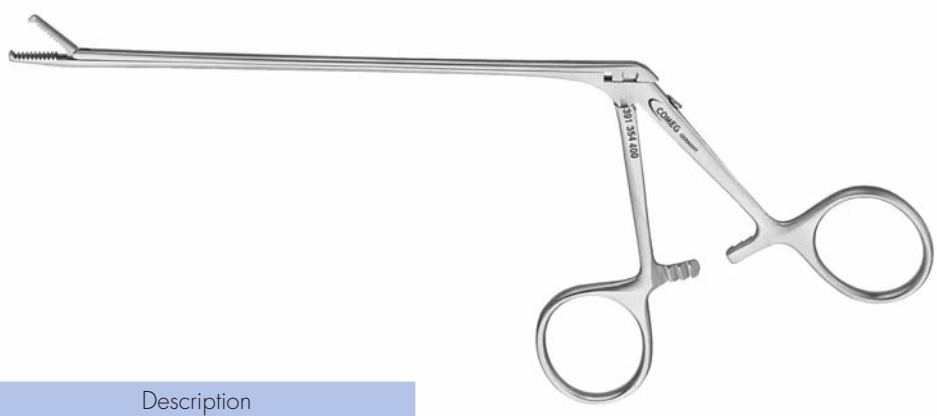
Grasping forceps

Grasping forceps serrated, 1 x 2 teeth, with ratchet



Art.-No.	Description
391 354 000	straight
391 354 110	curved right
391 354 120	curved left

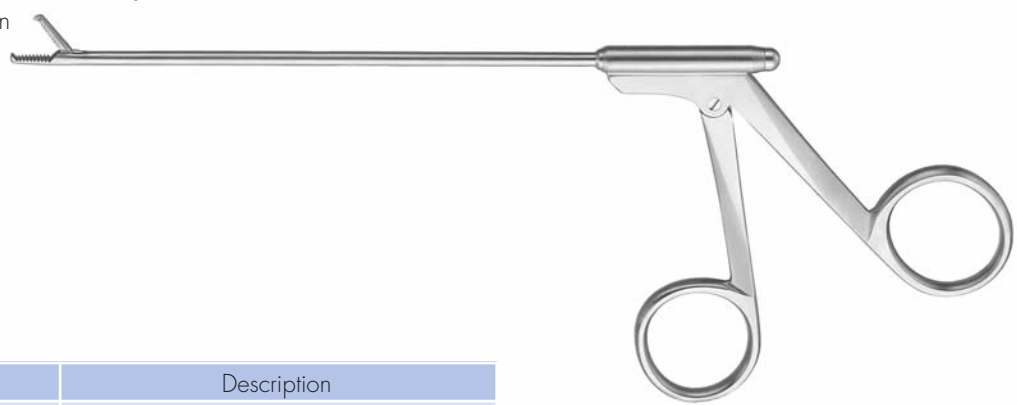
Mini grasping forceps serrated, 1 x 2 teeth, with ratchet



Art.-No.	Description
391 354 400	straight

All arthroscopic instruments of the **SC line** (superior category) are equipped with an overload protection which guarantees an increased breakage resistance. These instruments are made of high-quality steel by means of most modern CNC-technique.

SC grasping forceps serrated, 1 x 2 teeth with overload protection

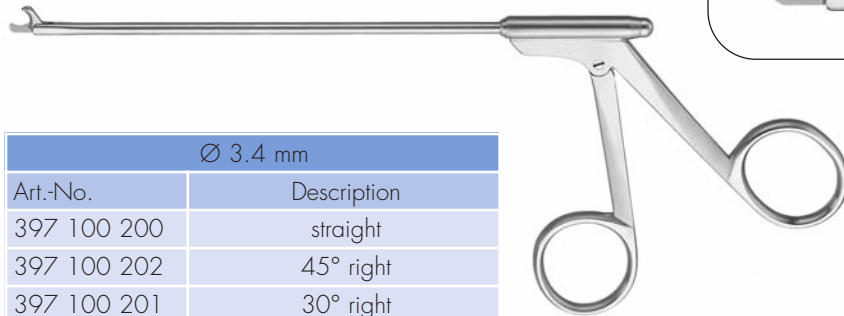


Art.-No.	Description
391 340 050	without ratchet
391 340 060	with ratchet

Scissors

Hook scissors

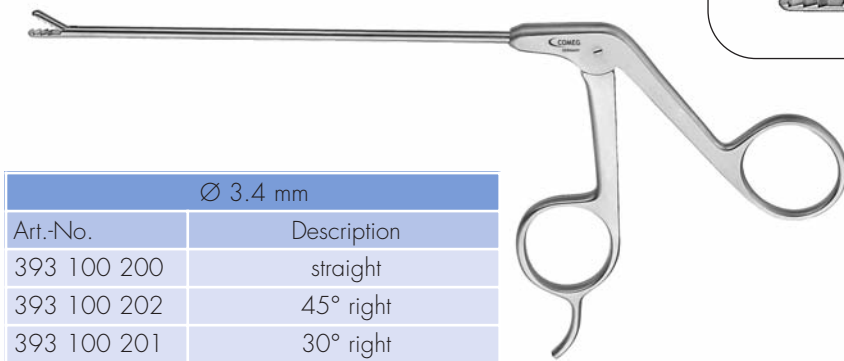
SC - with overload protection



Ø 3.4 mm	
Art.-No.	Description
397 100 200	straight
397 100 202	45° right
397 100 201	30° right
397 100 203	30° left
397 100 204	45° left
397 100 206	15° upward
397 100 205	7° upward
397 100 207	7° downward
397 100 208	15° downward

Hook scissors

SC - without overload protection



Ø 3.4 mm	
Art.-No.	Description
393 100 200	straight
393 100 202	45° right
393 100 201	30° right
393 100 203	30° left
393 100 204	45° left
393 100 206	15° upward
393 100 205	7° upward
393 100 207	7° downward
393 100 208	15° downward

Hook scissors

Ø 3.4 mm	
Art.-No.	Description
397 100 209	45° right angled
397 100 210	45° left angled



Punches

Punch

SC - with overload protection



Ø 1.7 mm		Ø 3.4 mm	
Art.-No.	Description	Art.-No.	Description
397 100 221	straight	397 100 211	straight
397 100 223	45° right	397 100 213	45° right
397 100 222	30° right	397 100 212	30° right
397 100 224	30° left	397 100 214	30° left
397 100 225	45° left	397 100 215	45° left
397 100 227	15° upward	397 100 217	15° upward
397 100 226	7° upward	397 100 216	7° upward
397 100 228	7° downward	397 100 218	7° downward
397 100 229	15° downward	397 100 219	15° downward

Punch

SC - without overload protection



Ø 3.4 mm	
Art.-No.	Description
393 100 211	straight
393 100 213	45° right
393 100 212	30° right
393 100 214	30° left
393 100 215	45° left
393 100 217	15° upward
393 100 216	7° upward
393 100 218	7° downward
393 100 219	15° downward

Punch with scoop

SC - with overload protection



Ø 3.4 mm	
Art.-No.	Description
397 100 230	45° right angled
397 100 232	45° left angled

Punch with scoop

SC - with overload protection



Ø 3.4 mm	
Art.-No.	Description
397 100 231	90° right angled
397 100 233	90° left angled

Punches

Punch internal rotating action

SC - with overload protection

Ø 3.4 mm	
Art.-No.	Description
397 100 234	90° right angled
397 100 235	90° left angled



Punch upside retrograde cutting, 2.5 mm bite

Art.-No.	Ø
397 100 300	3.4 mm



Punch retrograde cutting, 360° rotatable, 2.5 mm bite

Art.-No.	Ø
397 100 310	3.4 mm



Other versions upon request !

Hand instruments

There are two different systems within our range of hand instruments:

- instrument one-piece, knurled handle
- interchangeable handle + insert. Different inserts can be used with one handle.



Instrument one-piece, knurled handle

Handle for inserts



Art.-No.
391 410 000

Hook probe, Ø 4 mm

Art.-No.	Description
391 400 001	instrument one piece



Hook probe pointed, Ø 2 mm

Art.-No.	Description
391 410 002	insert only



Hook probe graduated, Ø 2.5 mm

Art.-No.	Description
391 410 003	insert only



Hook probe graduated, Ø 3.5 mm

Art.-No.	Description
391 410 004	insert only



Scalpel knife, Ø 3 mm

Art.-No.	Description
391 410 005	insert only
391 400 005	instrument one piece



Banana knife smooth, Ø 3.5 mm

Art.-No.	Description
391 410 006	insert only
391 400 006	instrument one piece



Banana knife serrated, Ø 3.5 mm

Art.-No.	Description
391 410 007	insert only
391 400 007	instrument one piece



Hook knife 90°, Ø 3.5 mm

Art.-No.	Description
391 410 008	insert only
391 400 008	instrument one piece



Knife 45°, Ø 4.5 mm

Art.-No.	Description
391 410 009	insert only
391 400 009	instrument one piece



Hand instruments

Sickle knife, Ø 2 mm

Art.-No.	Description
391 410 010	insert only



Bajonet knife, Ø 3 mm

Art.-No.	Description
391 410 011	insert only



Knife serrated straight, Ø 3.5 mm

Art.-No.	Description
391 410 012	insert only
391 400 012	instrument one piece



Knife serrated 30° left, Ø 3 mm

Art.-No.	Description
391 410 013	insert only



Knife serrated 30° right, Ø 3 mm

Art.-No.	Description
391 410 014	insert only



Meniscotome straight, Ø 3 mm

Art.-No.	Description
391 410 015	insert only
391 400 015	instrument one piece



Meniscotome straight, Ø 5 mm

Art.-No.	Description
391 410 016	insert only
391 400 016	instrument one piece



Meniscotome round, Ø 7 mm

Art.-No.	Description
391 410 017	insert only



Ring curette, Ø 3 mm

Art.-No.	Description
391 410 018	insert only
391 400 018	instrument one piece



Ring curette, Ø 7 mm

Art.-No.	Description
391 410 019	insert only



Spoon, Ø 3 mm

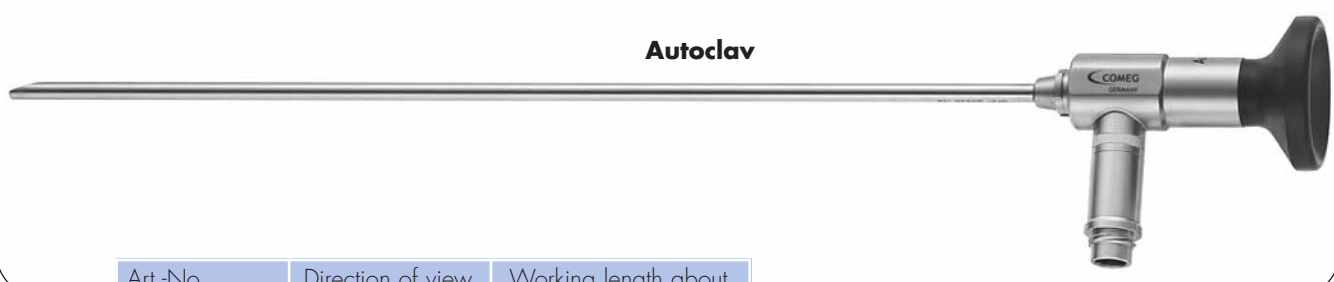
Art.-No.	Description
391 410 020	insert only
391 400 020	instrument one piece



Arthroscope

Arthroscope Ø 4.0 mm

Autoclav



Art.-No.	Direction of view	Working length about
161 412 255	70°	225 mm

Hip arthroscope, 2 stopcocks rotatable



Art.-No.	For scope	Outer Ø	Inner Ø	Working length about
191 402 294	Ø 4.0 / 70°	5.6 mm	4.6 mm	169 mm

Dilation tube

for Kirschner wires with Ø 2.5 mm

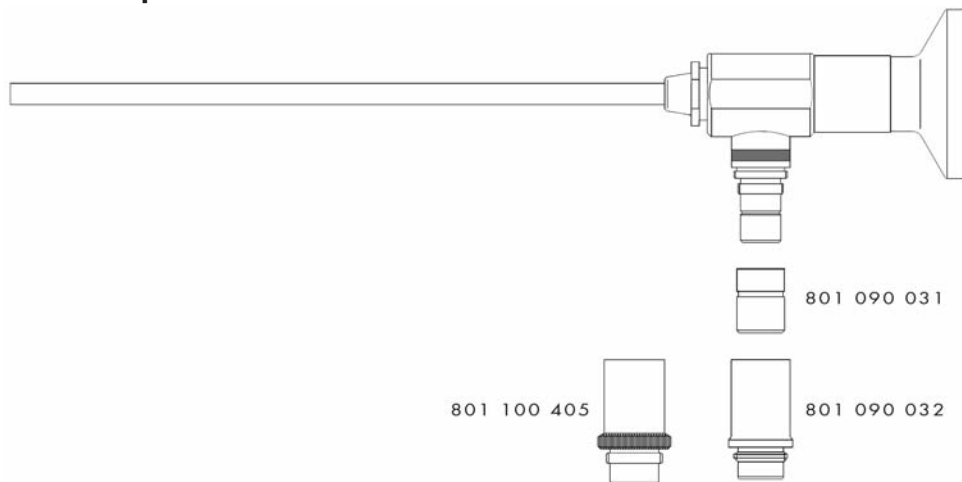


Art.-No.	Outer Ø	Inner Ø	Length
191 402 257	4.5 mm	2.6 mm	267 mm

Telescopes

Following spare parts can be ordered separately:

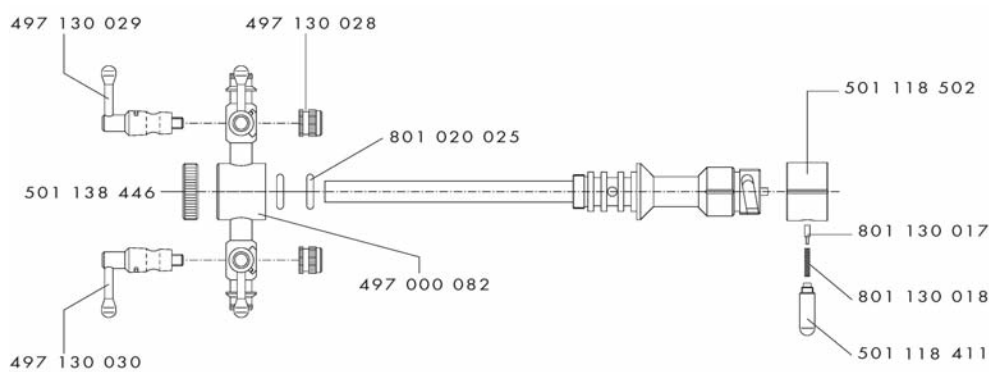
Spare parts for telescopes



Art.-No.	Description
801 090 031	adapter WOLF
801 090 032	adapter STORZ
801 100 405	adapter OLYMPUS

Sheaths

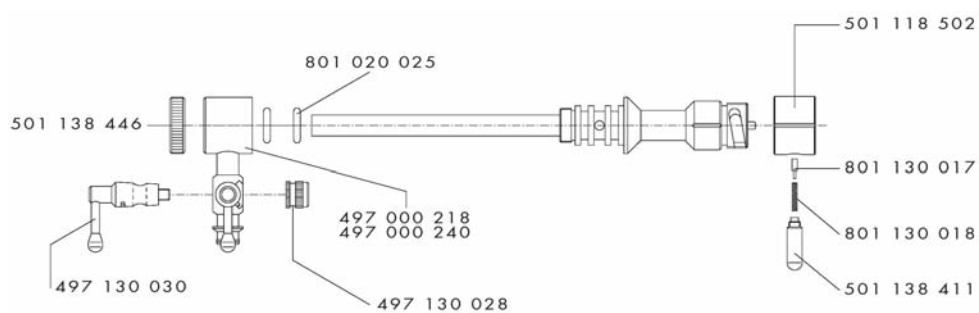
Spare parts for rotatable sheaths with two stopcocks



Art.-No.	Description
497 130 030	stopcock lever right
497 130 029	stopcock lever left
497 130 028	screw cap
497 000 082	sealing ring complete
501 138 446	knurled nut
801 020 025	o ring
501 118 502	locking ring
801 130 017	plunger
801 130 018	spring
501 138 411	locking pin

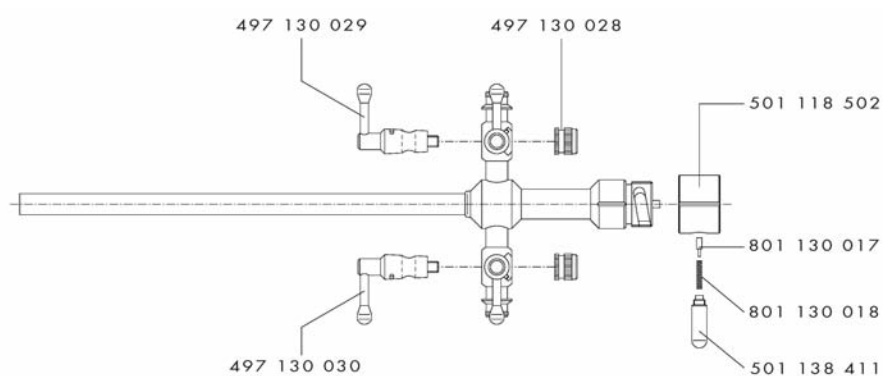
Sheaths

Spare parts for rotatable sheaths with one stopcock



Art.-No.	Description
497 130 030	stopcock lever right
497 130 028	screw cap
497 000 218	sealing ring complete
801 130 240	knurled nut
801 020 025	o ring
501 118 502	locking ring
801 130 017	plunger
801 130 018	spring
501 138 411	locking pin

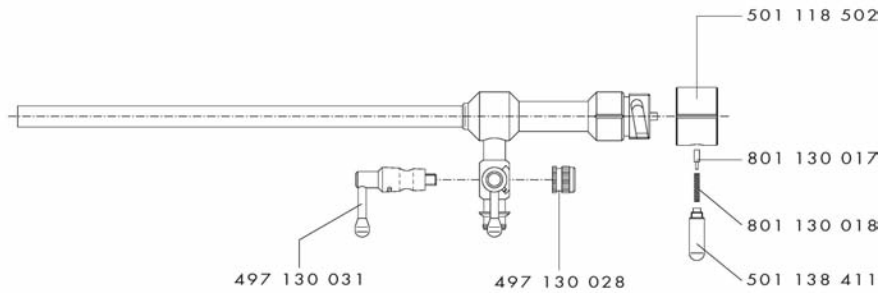
Spare parts for fix sheaths with two stopcocks



Art.-No.	Description
497 130 030	stopcock lever right
497 130 029	stopcock lever left
497 130 028	screw cap
501 118 502	locking ring
801 130 017	plunger
801 130 018	spring
501 138 411	locking pin

Sheaths

Spare parts for fix sheaths with one stopcock



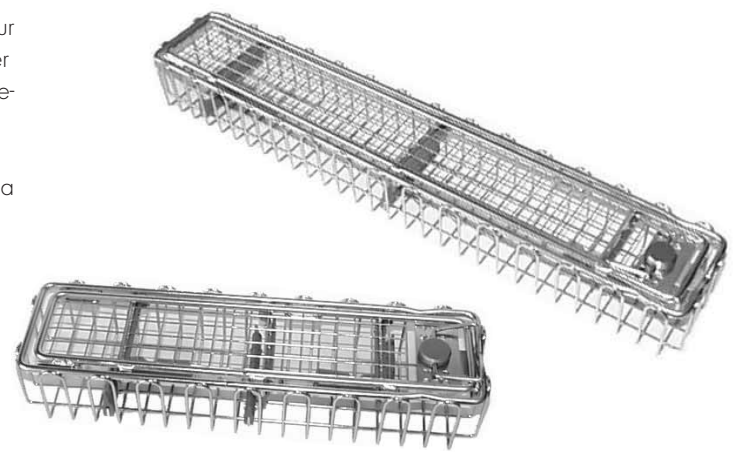
Art.-No.	Description
497 130 031	stopcock lever right
497 130 028	screw cap
501 118 502	locking ring
801 130 017	plunger
801 130 018	spring
501 138 411	locking pin

Accessories for maintenance, cleaning and sterilization

Sterilization baskets

designed for our whole range of endoscopes and all our applications including lid and silicone endoscope holder for best possible handling during treatment (cleaning, sterilization, etc.)

maximum protection against damage
suitable for steam sterilization, gas sterilization, plasma sterilization

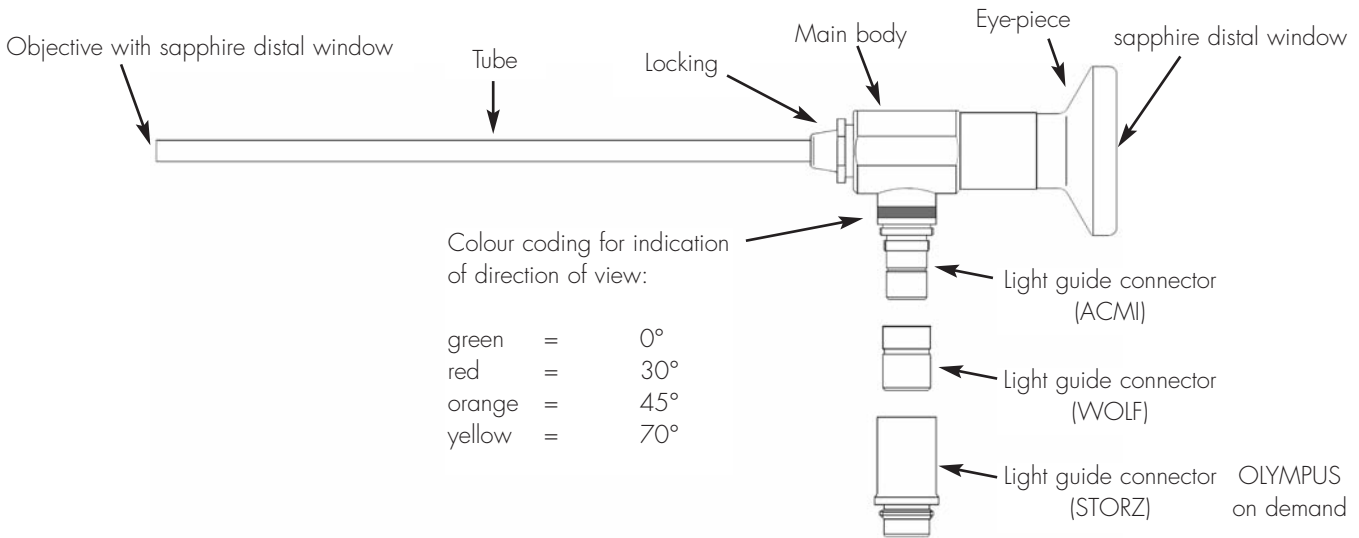


Art.-No.	Dimension
390 400 110	460 x 80 x 52 mm
390 400 100	290 x 80 x 52mm

Innovation

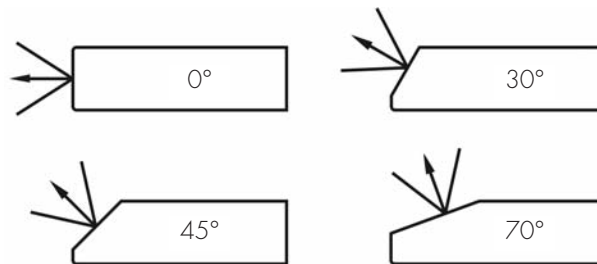
SOPRO-COMEG is permanently improving the quality of its products (stainless steel, design,...).
Modifications of technical specifications or design are therefore subject to change without prior notice.

All information and illustrations are without obligation. Subject to change without prior notice!



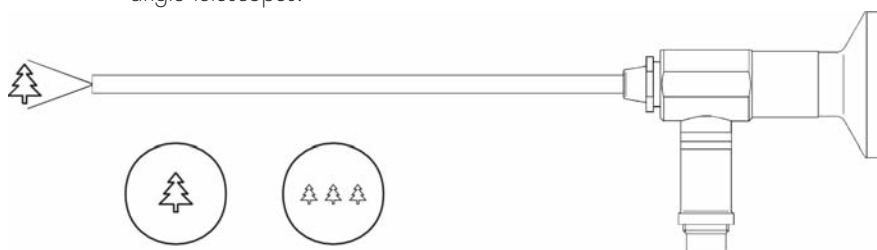
Direction of view

Direction of view is defined by the angle between the deviation of the middle beam and the axis of the optical system.



Field of view

Field of view is defined by the angle between the most left and right peripheral beam of the image.
It is important for the distinction of wide-angle and standard-angle telescopes.



“WIDE ANGLE” (WA)

“Wide angle” telescopes provide a bigger field of view.

Autoclavable telescopes

are the standard versions of SOPRO-COMEG telescopes. They are soakable in disinfectant solution, ETO-sterilizable or autoclavable.

They comply with our high-quality and all functions are tested 100% before being delivered.



Table of measures

French (Fr.)		d/mm	French (Fr.)		d/mm
1	≈	0.3	16	≈	5.3
2	≈	0.7	17	≈	5.7
3	=	1.0	18	=	6.0
4	≈	1.3	19	≈	6.3
5	≈	1.7	20	≈	6.7
6	=	2.0	21	=	7.0
7	≈	2.3	22	≈	7.3
8	≈	2.7	23	≈	7.7
9	=	3.0	24	=	8.0
10	≈	3.3	25	≈	8.3
11	≈	3.7	26	≈	8.7
12	=	4.0	27	=	9.0
13	≈	4.3	28	≈	9.3
14	≈	4.7	29	≈	9.7
15	=	5.0	30	=	10.0

Please note:

Handling and maintenance instructions for SOPRO-COMEG endoscopes for medical use.

Custom-made devices

Of course we are able to supply you additionally to the standard optics with telescopes for other various applications.

Furthermore we are able to combine our various optical calculations to build up new or modified telescopes upon the users request.

If you have any questions or suggestions please do not hesitate to contact us.

.....

.....

.....

.....

.....

.....

.....

.....

.....

.....

.....

.....

.....

.....

.....

.....

.....

.....

.....

.....

.....

.....

.....

Equipment

Arthroscopy

Instrumentation

HIP-Arthroscopy

Spare parts

Accessories

General Information

Equipment

.....
.....
.....

Arthroscopy

.....
.....
.....

Instrumentation

.....
.....
.....

HIP-Arthroscopy

.....
.....
.....

Spare parts

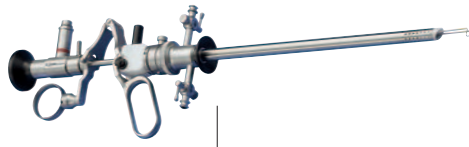
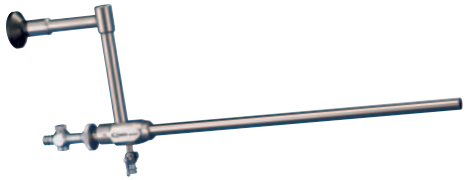
.....
.....
.....

Accessories

.....
.....
.....

General Information

.....
.....
.....



OUR TECHNOLOGY YOUR SKILL

SOPRO COMEG

ENT

GYNECOLOGY

LAPAROSCOPY

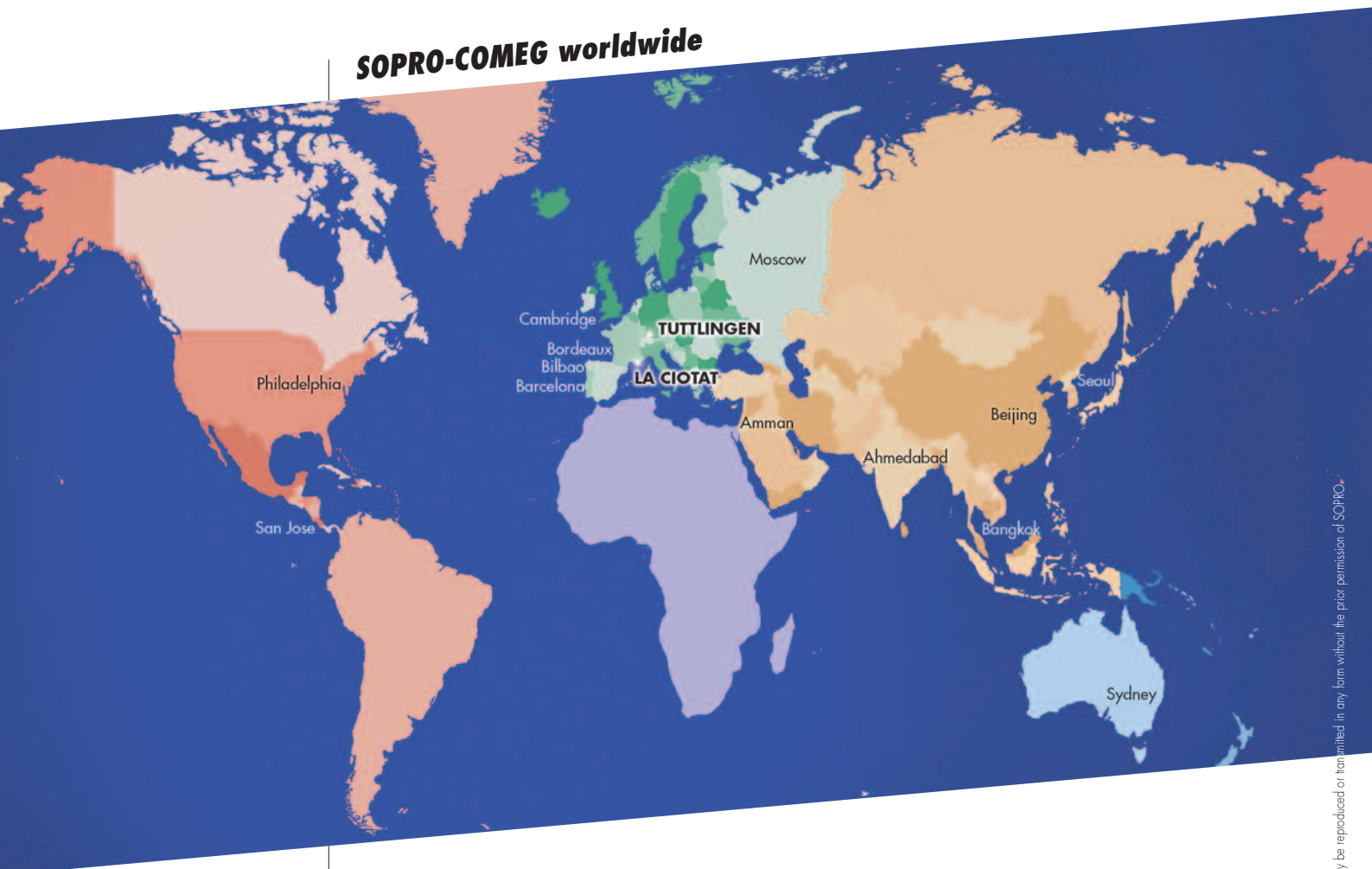
UROLOGY

SPINE

EQUIPMENT



SOPRO-COMEG worldwide



SOPRO-COMEG COMMITMENTS

Customer proximity

Direct and quick communication with our local sales force.

National placed inventory to ensure quick delivery time.

Service

Worldwide service centres to ease and fasten the support of our complete product line.

R&D

A network of 50 engineers to foster on products innovations and new technologies.



French production plant:
ZAC Athélia IV
Avenue des Genévriers
13705 La Ciotat cedex - France
Tél. +33 (0) 442 98 01 01
Fax +33 (0) 442 71 76 90
info@sopro-comeg.com

www.sopro-comeg.com



German production plant:
Dornierstr. 55
D-78532 Tuttlingen - Germany
Tel +49 (0) 7461-9344-0
Fax +49 (0) 7461-9344-20
info@sopro-comeg.com

www.sopro-comeg.com

