



UROLOGY



SOPRO COMEG

CONTENTS

1	COMPANY	5
2	OPTICS	11
3	CYSTOSCOPY FOR ADULT AND ADOLESCENT	23
4	RESECTOSCOPY	51
5	ACCESSORIES FOR UROLOGY	81
6	URETHROTOMY	91
7	URETERO-RENSCOPY	103
8	PEDIATRIC UROLOGY	113
9	LITHOTRIPSY	125
10	NEPHROSCOPY	129
11	STERILIZATION AND MAINTENANCE	135



French manufacturing plant

La Ciotat - FRANCE

Surface : 3 200 m²



German manufacturing plant

Tuttlingen - GERMANY

Surface : 2 600 m²

1 COMPANY

Company history	p6
Products range at a glance.....	p7
Regulatory.....	p8
Research & Development	p9
Service & Assistance	p9
Representative offices	p9

1 COMPANY



SOPRO

1977

SOPRO was founded.

1986

Introduction of microcameras for endoscopy.

2001

SOPRO joins the Acteon Group.

2003

Sopro moves into a bigger, brand new building in La Ciotat.

2004

Acquisition of Geysler and development of a range of insufflators and pumps.

COMEG

1975

COMEG was founded.

1977

Introduction of medical endoscopes.

1993

Introduction of autoclavable endoscopes.

1994

Introduction of the urology product line.

2001

New optical generation of medical endoscopes.



SOPRO COMEG

2006

COMEG joins SOPRO

2007

Introduction of a Spine surgery product line

2009

Introduction of the SOPRO 397 3CCD Full HD camera

Introduction of the Sopro Medical Software

Introduction of a range of bipolar forceps & scissors

2010

Introduction of the Full HD laparoscope

Introduction of HEOS, the hysteroscopic endo operative system

Introduction of UBIPACK, the complete solution for gynecology and ENT

2011

Introduction of ULYSS, 4mm autoclavable endoscope with variable direction of view

2012

New range of uretero-renoscopes

2013

Introduction of a bipolar resectoscopy range

2014

Introduction of SYMBIOZ and the SCard

1 COMPANY

PRODUCTS RANGE AT A GLANCE

SOPRO-COMEG offers a complete range ranking from capital equipment to re-usable, high quality, durable instruments. Whatever your application is: Urology, Laparoscopy, Arthroscopy, Gynecology, Spine, ENT, SOPRO-COMEG will offer you the best solution and fulfill your needs.

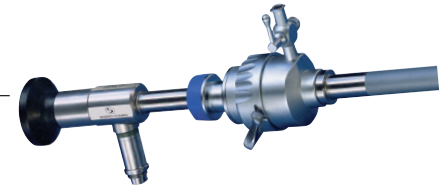


Capital equipment

SOPRO-COMEG meets the needs of international surgeons and distributors by supplying complete solutions for video endoscopy. Our range includes equipment for both consulting and operating rooms, using latest technologies available in the market. Full HD video cameras, Xenon and LED light sources, insufflators, pumps, shaver, medical grade monitors and visualization/archiving systems. These products have already proven their worldwide reliability and are considered today as a standard in the mini invasive surgery field.

SOPRO-COMEG proposes a complete range of instruments for entry into the peritoneum, the first and most crucial step in successful laparoscopic surgery. A complete range of hand instruments in both monopolar and bipolar electrocautery versions is also available. The full HD 10mm laparoscope will provide you the quality you need for High Definition picture.

Laparoscopy



Urology

SOPRO-COMEG, a company with over 25 years experience in the urology field, offers endoscopes with exceptional optical quality and a complement of instruments which will ease even the most demanding urological procedures including: cystoscopy, resectoscopy and urethrotomy. These products are an integral part of recent technological advancements which improve the diagnosis-treatment process and the level of care that urologists can now offer to their patients.

Gynecology, hysteroscopy, resectoscopy and other procedures are made easier with the SOPRO-COMEG products. Clarity and efficiency are the key words of our gynecology range.

Gynecology



Arthroscopy

Sharp images, precision in visualization are possible through the use of our range for arthroscopy from 4.0mm telescopes to the small-joint arthroscopic lines.

Our spinal endoscopy system allows to treat disc-diseases. All types of hernias can be removed in a minimal invasive interlamiar approach, by means of the endoscopic technique. The technique also qualifies for the effective treatment of chronic back-ailments caused by disc-prolaps or tears. Furthermore, endoscopic treatment of spinal stenosis has increased.

Spine



ENT

Our field of activities also includes all areas of the ENT disciplines, whether it is diagnostics or therapy, practice or clinic. We propose rigid endoscopes and accessories necessary for sinuscopy, otoscopy and laryngoscopy. All our instruments are manufactured with the highest quality materials.

1 COMPANY

REGULATORY

Our business practices and processes are designed to achieve quality results that exceed the expectations of patients, customers, surgeons. We are dedicated to the delivery of quality healthcare products around the world.

From the start of development of a new device through manufacturing to the final quality control check before delivery, Quality is built in to all our products, as is our commitment and dedication to our customers throughout the world.

Both plants are certified to the highest international quality standard, ISO 13485 for Design, Manufacturing and Sales. Our products comply with the various regulations established across the world, specifically those required by the Food and Drugs Administration and the European Union.

SOPRO and SOPRO-COMEG manufactures equipments and endoscopes in accordance with the following directives or standards:

- Medical device directive 93/42 EEC (M5 2007/47 EEC)
- DIN EN ISO 13485 : 2003 AC:2007 certified : Quality management system
- EN ISO 13485: 2003 AC:2007 certified Quality management system
- EN ISO 13485: 2003 AC:2007 certified Quality management system (issued according to CMDCAS program requirements)
- Series of standards IEC 60601
- Series of standards ISO 8600
- FDA regulations* (FDA Quality system Regulation 21 CFR Part 820).
- EC attestations issued for all our class II devices..



**the newest ones may be 510(k) pending.*

RESEARCH & DEVELOPMENT

Innovation being the key to improve health, SOPRO-COMEG invests a significant part of its revenue in R&D and patents filing. Our world-renowned know-how is medical imaging, relying on senior engineers with strong expertise in electronics, software, optics and mechanics.

Also, we in SOPRO-COMEG, have access to the very wide R&D department and connections of our mother company, Acteon group, adding to the previous know-how : ultrasounds, chemical, motors, X-Ray and Cone Beam Computed Tomography systems (CBCT).

This very rare combination of know-how allows us to join the extremely limited group of the companies mastering the design & the manufacturing of the complete endoscopy solution.

SERVICE & ASSISTANCE

In both our main plants (La Ciotat and Tuttlingen), our on-site specialists are dedicated to servicing and providing expertises to your SOPRO-COMEG products:

- Express repair of all our products under warranty
- Free quotation for all repairs out of warranty
- Qualified repair with original spare parts
- Streamline endoscope exchange program)
- Technical training

• **SOPRO-COMEG in France**
(Equipment)
ZAC Athelia 4
Avenue des Génévriers
13705 La Ciotat cedex
Tel +33(0)442 98 01 09
cs@sopro-comeg.com

• **SOPRO-COMEG GmbH**
(Endoscopes and accessories)
Serviceabteilung
Domierstrasse 55
78532 Tuttlingen - Germany
Tel +49 (0) 7461-9344-26
claudia.mirci@sopro-comeg.com

SOPRO-COMEG REPRESENTATIVE OFFICES

Our local staff will support you, wherever you are in the world.

• **China** - ACTEON China
Office 401
No.12 Xinyuanxili Zhong Street,
Chaoyang District, Beijing 100027
Tel +86 10 646 57011/2/3
info.cn@sopro-comeg.com

• **Middle East** - ACTEON Middle East
Numan center 1st Floor N°111
Gardens street
PO box 468 - 11953 Amman Jordan
Tel +962 6 553 4401
info.me@sopro-comeg.com

• **USA** - ACTEON Inc.
124 Gaither Drive, Suite 140
Mount Laurel, NJ 08054
Tel +1 856 222 9988
info.us@sopro-comeg.com

• **Russia** - ACTEON Russia
Valdayskiy Proezd 16
Office 243
125445 Moscow
Tel + 7 499 76 71 316
info.ru@sopro-comeg.com

• **Taiwan** - ACTEON Taiwan
14F.-1, N°433, Jingping Rd.
Jhonghe City - Taipei County 235
Tel +866 926 704 505
tina.chu@tw.acteongroup.com

• **India** - ACTEON India
B-94 G.I.D.C ELECTRONIC ESTATE
Sector 25
Gandhinagar - Gujarat - 382023
Tel +91 (79) 2328 7473
ajay.sadana@in.acteongroup.com

• **United Kingdom** - ACTEON UK
Unit 1 Steel close, Eaton Socon, St Neots
Cambridgeshire, PE19 8TT
Tel +44 1480 477 307
info@acteongroup.co.uk
www.acteongroup.co.uk

• **Germany** - ACTEON GmbH
Industriestraße 9,
40822 Mettmann
Tel +49 2104 956510
timo.hand@de.acteongroup.com

• **Italy** - ACTEON Italia
Via Roma 45
21057 Olgiate olona (Varese)
Tel : +39 0331 376 760
andrea.castellini@acteongroup.com



2 OPTICS

SOPRO-COMEG optics	p12
Streamline Exchange Program	p13
General information	p14
Telescopes	p15
Uretero-roscope, ureteroscope	p18
Percutaneous nephroscopes	p21

2 OPTICS

SOPRO-COMEG OPTICS



With more than 30 years as well known manufacturer, SOPRO-COMEG develops its own endoscopes in Tuttlingen (Germany) with the best and latest technology know-how.

- **Stainless steel tubes:**

Choice of stainless steel tubes is done to ensure optimal quality and solidity by using European quality stainless steels. Our mechanical manufacturing department is making all cutting, polishing, finishing steps to provide you the optimal devices quality and to offer better resistance to disinfection chemical agent.

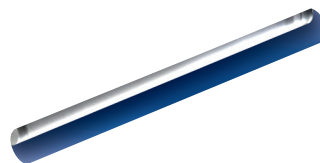
- **Rod lenses, objective and ocular:**

Since several years, SOPRO-COMEG research and development department does optical calculation to optimized parameters of brightness, contrast and resolution according to the intended use of the endoscope.

Sizes, designs, optical coatings, raw materials, all are precisely chosen by our engineers to achieve the quality you need.

By using the well-known **rod lenses** design and added **multi coating** on each interfaces, the SOPRO-COMEG endoscope offers you the best of the know-how in medical endoscope manufacturers.

During assembly process, the complete optical system is optimized with ocular and objective to achieve the requirements of quality. Our SOPRO-COMEG Full HD laparoscope is able to provide a constant **high resolution** picture full screen in order to complete your Full HD video chain.



- **Light fibers** are selected and calculated to provide maximum light in the operating field. Our internal manufacturing process permits to position the fibers in order to illuminate in the same direction as the direction of view of your endoscope. Endoscope light fibers can easily be connected to many of existing light cable and all our endoscope are delivered with light cable adapters (Karl Storz, Olympus, Richard Wolf, ACMI).

- **Cleaning, disinfection, sterilization and reliability** are ones of the most important requirements of today endoscopes.

Thanks to our **laser welding** technology and our validated manufacturing processes, SOPRO-COMEG offers a constant assembly quality. The use of distal and proximal **sapphire window** avoids many scratches on the optical system and the tightness of the optical system is done with patented process using valuable raw materials. With this high technology, SOPRO-COMEG endoscopes are warranty autoclavable up to 134°C during 20 minutes, double fore-vacuum.

Cleaning disinfection and sterilization processes are validated by external laboratory to ensure the respect of quality requirements. Our SOPRO-COMEG endoscopes can be clean manually or with automatic machines as defined in our user manual. SOPRO-COMEG endoscopes are compatible with the following sterilization methods:

- Steris TM
- Sterrad
- Vapor sterilization
- EtO
- Cidex
- Henkel-Ecolab Sekumatic FRE

2 OPTICS

STREAMLINE EXCHANGE PROGRAM

Efficiency and reactivity are the main goals of our service department.

The **Streamline endoscope exchange program** is the perfect example of these commitments.

Streamline exchange program allows you to exchange your defective autoclavable optics from any brands for a newly manufactured SOPRO-COMEG optics.

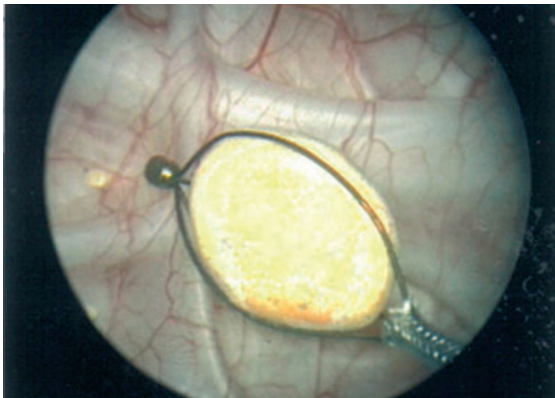
All Streamline endoscopes are manufactured in our plant in Tuttlingen, Germany, with original parts to fulfill all specifications, standards and regulatory compliance ISO 13485 as the other SOPRO-COMEG optics. All individual parts are carefully checked by our incoming inspection department before assembly to achieve the quality you need.

48h: it's the time we need to send you your Streamline endoscope after receipt of your order.

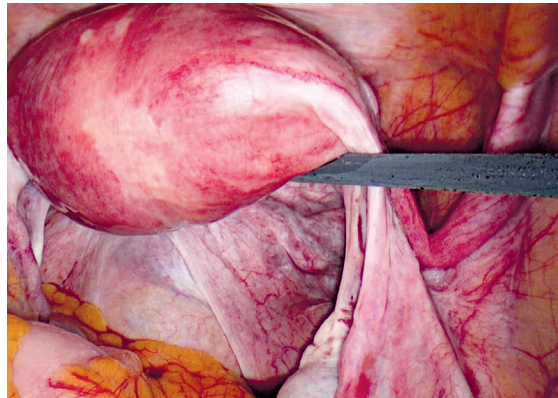
Whatever is the autoclavable optics you send to us we provide your needs.

As example, you can send us a broken autoclavable sinuscope from other brand and asking for a SOPRO-COMEG Full HD Streamline 10mm laparoscope.

Nevertheless, the SOPRO-COMEG optics technology permits to proceed, most of the time, to a repair. After expertise of your medical device, our technician will sent you a repair offer according to the repair flat rate. If the device cannot be repair we will send you an offer for a Streamline product or, if the optics is not eligible to this Streamline exchange program, a very attractive pricing for new endoscope.



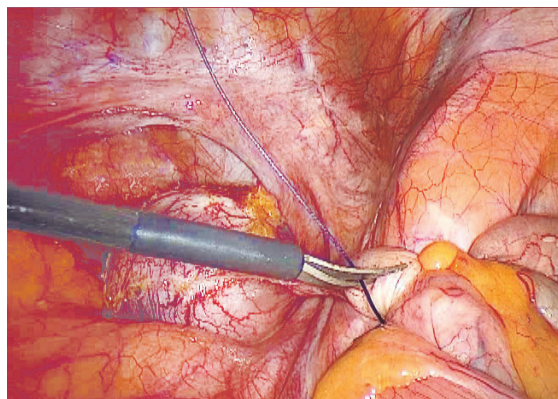
Cystoscopy



Gynecology



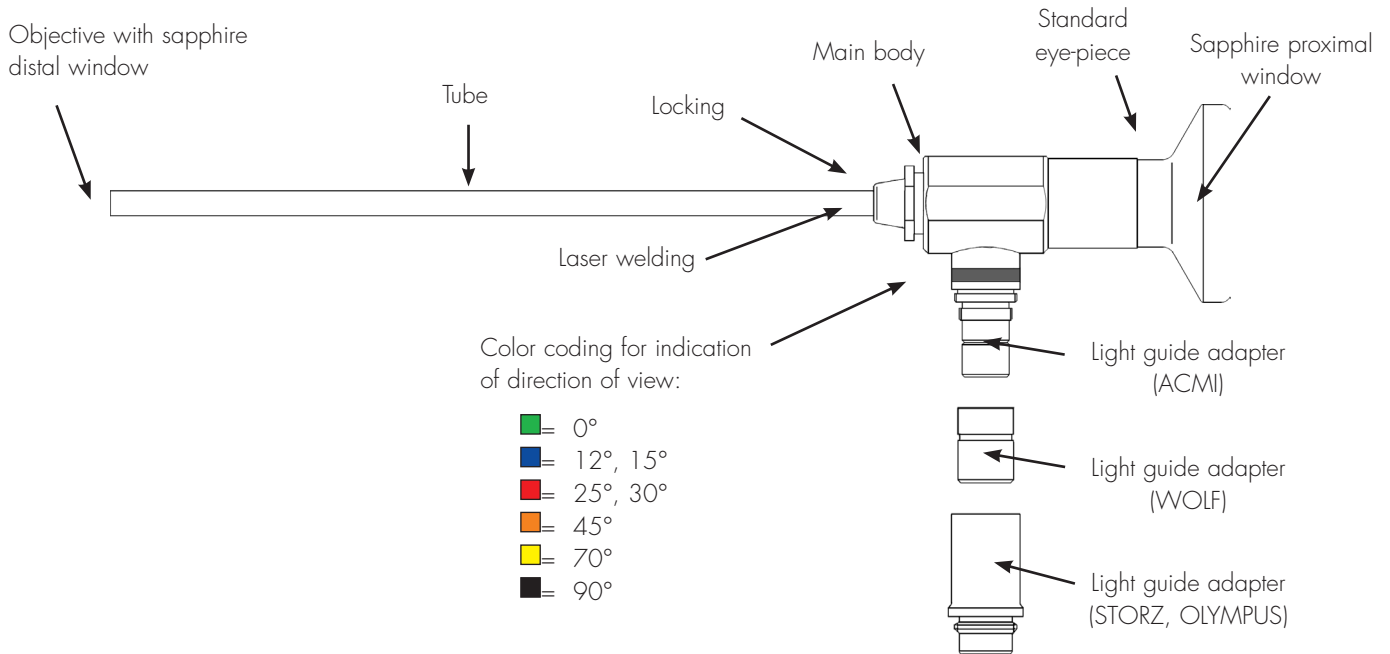
Sinuscopy



Laparoscopy

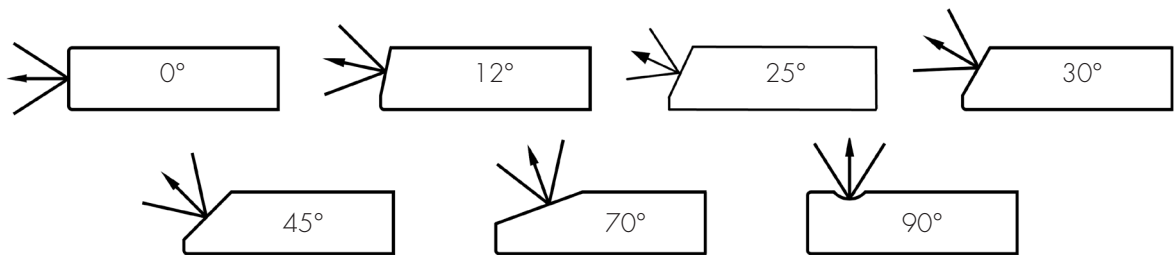
2 OPTICS

GENERAL INFORMATION



Direction of view

Direction of view is defined by the angle between the deviation of the middle beam and the axis of the optical system.



Field of view

Field of view is defined by the angle between the most left and right peripheral beam of the image. It is important for the distinction of wide-angle and standard-angle telescopes.



"WIDE ANGLE" (WA)

"Wide angle" telescopes provide a bigger field of view.

2 OPTICS

TELESCOPES

Ø 1,9/ 2,1 mm



Art.-No.	Description
165 211 870	Infant straight forward telescope 0° enlarged view, length 186 mm with rod lenses optical system autoclavable with fiber optic light transmission incorporated for use with "Working element Art.-No. 196 810 000" Color code: ■

Ø 2,7 mm



Art.-No.	Description
165 271 870	Miniature straight forward telescope 0° enlarged view, length 186mm with rod lenses optical system autoclavable with fiber optic light transmission incorporated Color code: ■
165 271 872	Miniature forward oblique telescope 30° enlarged view, length 187mm with rod lenses optical system autoclavable with fiber optic light transmission incorporated Color code: ■
165 271 875	Miniature lateral telescope 70° enlarged view, length 188mm with rod lenses optical system autoclavable with fiber optic light transmission incorporated Color code: ■

2 OPTICS

TELESCOPES

∅ 2,9 mm



Art.-No.	Description
165 293 000	PAGANO straight forward telescope 0° enlarged view, length 301mm with rod lenses optical system autoclavable with fiber optic light transmission incorporated Color code: ■
165 293 001	PAGANO straight forward telescope 12° enlarged view, length 301mm with rod lenses optical system autoclavable with fiber optic light transmission incorporated Color code: ■
165 293 002	PAGANO forward oblique telescope 30° enlarged view, length 301mm with rod lenses optical system autoclavable with fiber optic light transmission incorporated Color code: ■

∅ 3 mm



Art.-No.	Description
165 303 001	Straight forward telescope 12° enlarged view, length 301mm with rod lenses optical system autoclavable with fiber optic light transmission incorporated Color code: ■
165 303 002	Forward oblique telescope 30° enlarged view, length 301mm with rod lenses optical system autoclavable with fiber optic light transmission incorporated Color code: ■

2 OPTICS

TELESCOPES

∅ 4 mm



Art.-No.	Description
165 403 000	Straight forward telescope 0° enlarged view, length 301mm with rod lenses optical system autoclavable with fiber optic light transmission incorporated Color code: ■
165 403 001	Straight forward telescope 12° enlarged view, length 301mm with rod lenses optical system autoclavable with fiber optic light transmission incorporated Color code: ■
165 403 002	Forward oblique telescope 30° enlarged view, length 301mm with rod lenses optical system autoclavable with fiber optic light transmission incorporated Color code: ■
165 403 005	Lateral telescope 70° length 303mm with rod lenses optical system autoclavable with fiber optic light transmission incorporated Color code: ■

2 OPTICS

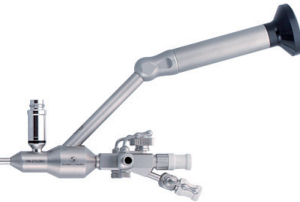
URETERO-RENSCOPES, URETEROSCOPES

The SOPRO-COMEG autoclavable uretero-renoscopes are using the best fiber optics technology to provide an excellent resolution. The atraumatic transition from the small to big diameter at the distal end permits a gentle insertion into ostium uteris. The SOPRO-COMEG uretero-renoscopes are available with a stopcock input unit included and a large range of instruments needed to perform uretero-renaloscopy in good conditions.

Features and specifications:

- round shaped distal tip for atraumatic ostium insertion
- distal tip from 6 Fr. to 8.5 Fr.
- instrument channel for use with flexible or rigid instruments up to 5 Fr.
- direction of view 0°, 6° or 12°
- working length 430mm or 315 mm
- Marberger or Bichler angled eyepiece to ensure ergonomics when using instruments or lithotripsy probes.

6 Fr. / 7.5 Fr.



Art.-No.	Description
186 514 001 NEW	Uretero-renoscope 6 Fr., autoclavable 30.000 pixels resolution, Marberger style working length 430 mm instrument channel 1 x 4 Fr. viewing direction 12° Color code: ■
186 558 001 NEW	Uretero-renoscope 6 Fr., autoclavable 30.000 pixels resolution, Marberger style working length 315 mm Instrument channel 1 x 4 Fr. Viewing direction 12° Color code: ■

6 Fr. / 7.5 Fr.

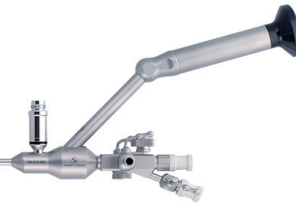


Art.-No.	Description
186 528 001 NEW	Uretero-renoscope 6 Fr., autoclavable 30.000 pixels resolution, Bichler style working length 430 mm Instrument channel 1 x 4 Fr. Viewing direction 12° Color code: ■
186 552 001 NEW	Uretero-renoscope 6 Fr., autoclavable 30.000 pixels resolution, Bichler style working length 315 mm Instrument channel 1 x 4 Fr. Viewing direction 12° Color code: ■

2 OPTICS

URETERO-RENOSCOPES, URETEROSCOPES

8 Fr. / 9.8 Fr.



Art.-No.	Description
186 070 001 NEW	Uretero-renaloscope 8 Fr., autoclavable 30.000 pixels resolution, Marberger style working length 430 mm Instrument channel 1 x 5 Fr. Viewing direction 12° Color code: ■
186 069 001 NEW	Uretero-renaloscope 8 Fr., autoclavable 30.000 pixels resolution, Marberger style working length 315 mm Instrument channel 1 x 5 Fr. Viewing direction 12° Color code: ■

8 Fr. / 9.8 Fr.

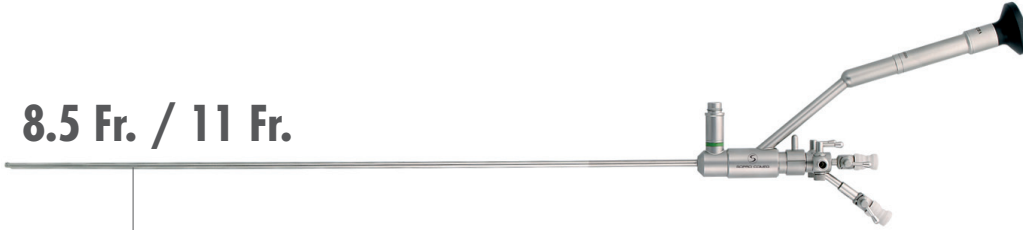


Art.-No.	Description
186 403 001 NEW	Uretero-renaloscope 8 Fr., autoclavable 30.000 pixels resolution, Bichler style working length 430 mm Instrument channel 1 x 5 Fr. Viewing direction 12° Color code: ■
186 395 001 NEW	Uretero-renaloscope 8 Fr., autoclavable 30.000 pixels resolution, Bichler style working length 315 mm Instrument channel 1 x 5 Fr. Direction of view 12° Color code: ■

2 OPTICS

URETERO-RENSCOPES, URETEROSCOPES

8.5 Fr. / 11 Fr.



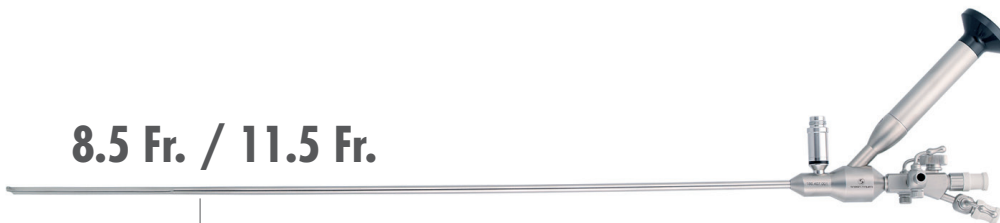
Art.-No.	Description
185 900 100	Uretero-renaloscope 8.5 Fr., autoclavable 50.000 pixels resolution , Marberger style working length 425 mm instrument channel 1 x 6 Fr. direction of view 0° Color code: ■

8.5 Fr. / 11.5 Fr.



Art.-No.	Description
186 405 001 NEW	Uretero-renaloscope 8.5 Fr., autoclavable 30.000 pixels resolution, Marberger style working length 430 mm Instrument channel 1 x 6 Fr. Direction of view 12° Color code: ■
186 404 001 NEW	Uretero-renaloscope 8.5 Fr., autoclavable 30.000 pixels resolution, Marberger style working length 315 mm Instrument channel 1 x 6 Fr. Direction of view 12° Color code: ■

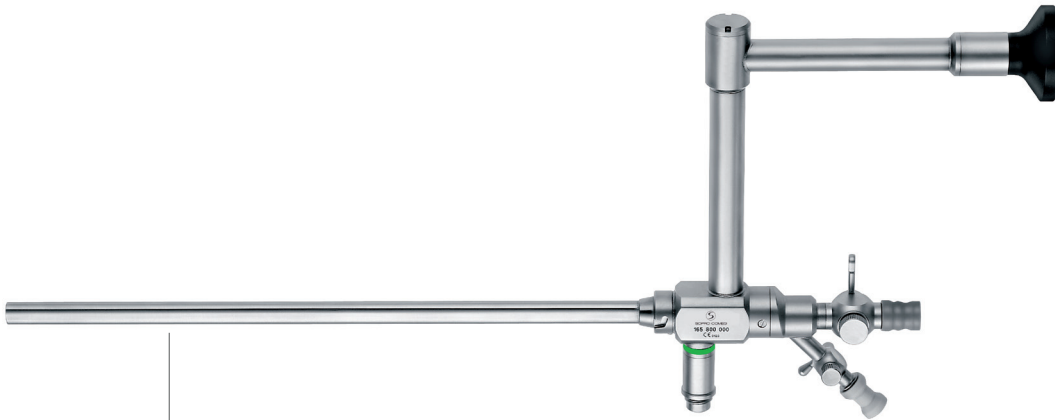
8.5 Fr. / 11.5 Fr.



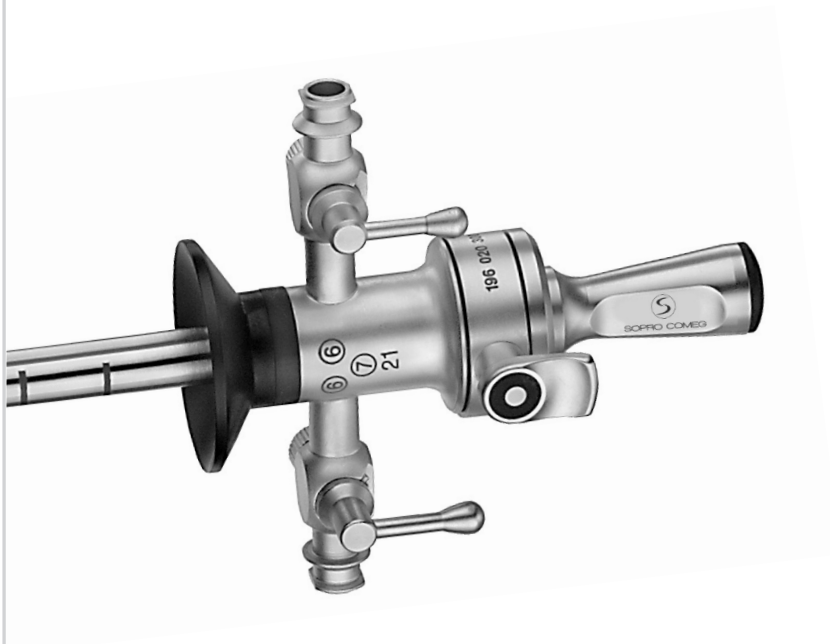
Art.-No.	Description
186 407 001 NEW	Uretero-renaloscope 8.5 Fr., autoclavable 30.000 pixels resolution, Bichler style working length 430 mm Instrument channel 1 x 6 Fr. Direction of view 12° Color code: ■
186 406 001 NEW	Uretero-renaloscope 8.5 Fr., autoclavable 30.000 pixels resolution, Bichler style working length 315 mm Instrument channel 1 x 6 Fr. Direction of view 12° Color code: ■

2 OPTICS

PERCUTANEOUS NEPHROSCOPES



Art.-No.	Description
165 800 000	<p>Straight forward nephroscope 0°, with parallel eyepiece 8,3mm x 6mm outer size, length 222mm with rod lenses optical system autoclavable, with fiber optic light transmission incorporated with 13Fr. working channel with Quick-Lock connection for use with Quick-Lock inflow sheath Color code: ■</p>
165 800 002	<p>Oblique forward nephroscope 25°, with parallel eyepiece 8,3mm x 6mm outer size, length 226mm with rod lenses optical system autoclavable, with fiber optic light transmission incorporated with 13Fr. working channel with Quick-Lock connection for use with Quick-Lock inflow sheath Color code: □</p>
165 802 630	<p>Straight forward nephroscope 0°, with parallel eyepiece 8,3mm x 5,25mm outer size, length 264mm with rod lenses optical system autoclavable, with fiber optic light transmission incorporated with 15Fr. working channel with SC series connection for use with SC series inflow sheath Color code: ■</p>



3 CYSTOSCOPY FOR ADULT & ADOLESCENT

Quick-Lock cystoscopy sheath	p25
Quick-Lock standard obturators	p26
Quick-Lock visual obturators	p27
SC series cystoscopy sheath	p28
SC series standard obturators	p29
SC series visual obturator	p30
Chart for instrument channel capacity	p31
Quick-Lock Albarran deflecting mechanism	p32
Quick-Lock adapter bridges	p33
SC series Albarran deflecting mechanism	p34
SC series adapter bridges	p35
Quick-Lock optical instrumentation	p36
SC serie optical instrumentation	p38
Compatibility matrix	p40
Quick-Lock Continuous flow laser cystoscopy	p41
Flexible instrumentation	p43
Stone baskets	p44
Monopolar HF electrodes & cables	p45
Bipolar HF electrodes & cables	p47
Overviews	p49

3 CYSTOSCOPY

QUICK-LOCK AND SC SERIES

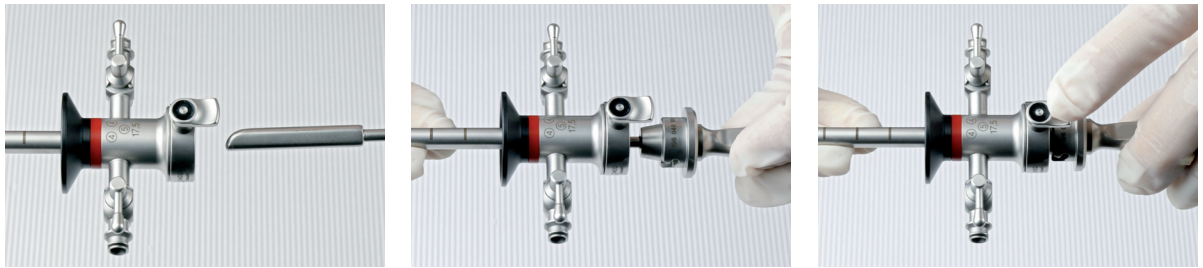
SOPRO-COMEG is involved to provide the best medical devices according end user requirements.

Material quality, picture brightness, reliability are some of these needs but our R&D engineers also work to improve the ergonomics of use.

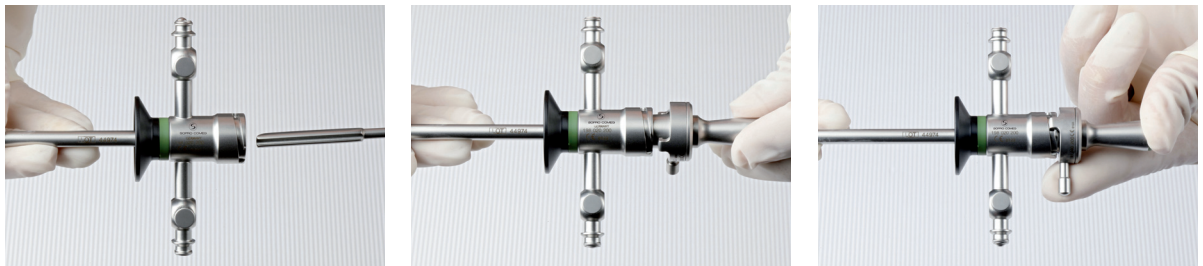
One of the best sample is the Quick-Lock connecting system for sheaths and obturators.

The innovative SOPRO-COMEG Quick-Lock connecting system permits to connect and disconnect endoscope and sheath in an easy and quicker gesture.

While many company are manufacturing rotating screw connection between sheath and optics which needs time and user focusing, SOPRO-COMEG develops an innovative Quick-Lock connecting solution with a simple push. As well, the release of the device together is done simply by a push on the active button.



Physician have also the possibility to use standard connecting system, compatible with other manufacturer's devices, thanks to our SOPRO-COMEG SC series.



3 CYSTOSCOPY

QUICK-LOCK CYSTOSCOPY SHEATH



Art.-No.	Description
196 020 100	17,5 Fr. Quick-Lock cystoscopy sheath with two fix stopcocks working length 224 mm to use with 4mm telescope (see page 17) with Quick-Lock standard obturator ref. 196 040 100 with two Luer lock adapters ref. 394 000 000 for tubing connection graduated Color code: ■
196 020 200	19,5 Fr. Quick-Lock cystoscopy sheath with two fix stopcocks working length 224 mm to use with 4mm telescope (see page 17) with Quick-Lock standard obturator ref. 196 040 200 with two Luer lock adapters ref. 394 000 000 for tubing connection graduated Color code: ■
196 020 300	21 Fr. Quick-Lock cystoscopy sheath with two fix stopcocks working length 224 mm to use with 4mm telescope (see page 17) with Quick-Lock standard obturator ref. 196 040 300 with two Luer lock adapters ref. 394 000 000 for tubing connection graduated Color code: ■
196 020 400	23 Fr. Quick-Lock cystoscopy sheath with two fix stopcocks working length 224 mm to use with 4mm telescope (see page 17) with Quick-Lock standard obturator ref. 196 040 400 with two Luer lock adapters ref. 394 000 000 for tubing connection graduated Color code: ■
196 020 500	25 Fr. Quick-Lock cystoscopy sheath with two fix stopcocks working length 224 mm to use with 4mm telescope (see page 17) with Quick-Lock standard obturator ref. 196 040 500 with two Luer lock adapters ref. 394 000 000 for tubing connection graduated Color code: □

To be used with cystoscope, Quick-Lock cystoscopy sheath requires a Quick-Lock adapter bridge or has to be used with Quick-Lock Albarran deflector. (see page 30-31)

3 CYSTOSCOPY

QUICK-LOCK STANDARD OBTURATOR

Obturator are also available as individual items but they are already included within the sheaths of page 25.



Art.-No.	Description
196 040 100	Quick-Lock standard obturator to use with 17,5 Fr. Quick-Lock cystoscopy sheath ref. 196 020 100 Color code: ■
196 040 200	Quick-Lock standard obturator to use with 19,5 Fr. Quick-Lock cystoscopy sheath ref. 196 020 200 Color code: ■
196 040 300	Quick-Lock standard obturator to use with 21 Fr. Quick-Lock cystoscopy sheath ref. 196 020 300 Color code: ■
196 040 400	Quick-Lock standard obturator to use with 23 Fr. Quick-Lock cystoscopy sheath ref. 196 020 400 Color code: ■
196 040 500	Quick-Lock standard obturator to use with 25 Fr. Quick-Lock cystoscopy sheath ref. 196 020 500 Color code: □

3 CYSTOSCOPY

QUICK-LOCK VISUAL OBTURATORS

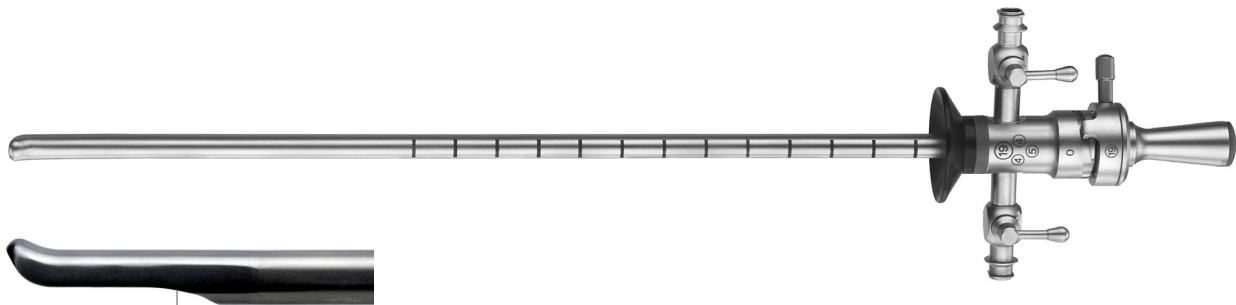
The Quick-Lock visual obturator permits to physician to add the benefit of insertion under direct view to innovative Quick-Lock connecting system.



Art.-No.	Description
196 070 100	Quick-Lock visual obturator to use with 17,5 Fr. Quick-Lock cystoscopy sheath ref. 196 020 100 to use with 4mm telescope (see page 17) Color code: ■
196 070 200	Quick-Lock visual obturator to use with 19,5 Fr. Quick-Lock cystoscopy sheath ref. 196 020 200 to use with 4mm telescope (see page 17) Color code: ■
196 070 300	Quick-Lock visual obturator to use with 21 Fr. Quick-Lock cystoscopy sheath ref. 196 020 300 to use with 4mm telescope (see page 17) Color code: ■
196 070 400	Quick-Lock visual obturator to use with 23 Fr. Quick-Lock cystoscopy sheath ref. 196 020 400 to use with 4mm telescope (see page 17) Color code: ■
196 070 500	Quick-Lock visual obturator to use with 25 Fr. Quick-Lock cystoscopy sheath ref. 196 020 500 to use with 4mm telescope (see page 17) Color code: □

3 CYSTOSCOPY

SC SERIES CYSTOSCOPY SHEATH



Art.-No.	Description
198 020 100	17 Fr. SC series cystoscopy sheath with two fix stopcock working length 224 mm to use with 4mm telescope (see page 17) with SC series standard obturator ref. 198 040 100 with two Luer lock adapters ref. 394 000 000 for tubing connection graduated Color code: ■
198 020 200	19 Fr. SC series cystoscopy sheath with two fix stopcock working length 224 mm to use with 4mm telescope (see page 17) with SC series standard obturator ref. 198 040 200 with two Luer lock adapters ref. 394 000 000 for tubing connection graduated Color code: ■
198 020 300	20 Fr. SC series cystoscopy sheath with two fix stopcock working length 224 mm to use with 4mm telescope (see page 17) with SC series standard obturator ref. 198 040 300 with two Luer lock adapters ref. 394 000 000 for tubing connection graduated Color code: ■
198 020 400	22 Fr. SC series cystoscopy sheath with two fix stopcock working length 224 mm to use with 4mm telescope (see page 17) with SC series standard obturator ref. 198 040 400 with two Luer lock adapters ref. 394 000 000 for tubing connection graduated Color code: ■
198 020 500	25 Fr. SC series cystoscopy sheath with two fix stopcock working length 224 mm to use with 4mm telescope (see page 17) with SC series standard obturator ref. 198 040 500 with two Luer lock adapters ref. 394 000 000 for tubing connection graduated Color code: □

To be used with cystoscope, SC series cystoscopy sheath requires an SC series adapter bridge or has to be used with SC series Albarran deflector. (see page 32-33)

3 CYSTOSCOPY

SC SERIES STANDARD OBTURATOR



Art.-No.	Description
198 040 100	SC series standard obturator to use with 17 Fr. SC series cystoscopy sheath ref. 198 020 100 Color code: ■
198 040 200	SC series standard obturator to use with 19 Fr. SC series cystoscopy sheath ref. 198 020 200 Color code: ■
198 040 300	SC series standard obturator to use with 20 Fr. SC series cystoscopy sheath ref. 198 020 300 Color code: ■
198 040 400	SC series standard obturator to use with 22 Fr. SC series cystoscopy sheath ref. 198 020 400 Color code: ■
198 040 500	SC series standard obturator to use with 25 Fr. SC series cystoscopy sheath ref. 198 020 500 Color code: □

3 CYSTOSCOPY

SC SERIES VISUAL OBTURATOR

The SC series visual obturator permits to physician to do insertion under direct view.



Art.-No.	Description
198 070 200	SC series visual obturator to use with 19 Fr. SC series cystoscopy sheath ref. 198 070 200 to use with 4mm telescope (see page 17) Color code: ■
198 070 300	SC series visual obturator to use with 20 Fr. SC series cystoscopy sheath ref. 198 070 300 to use with 4mm telescope (see page 17) Color code: ■
198 070 400	SC series visual obturator to use with 22 Fr. SC series cystoscopy sheath ref. 198 070 400 to use with 4mm telescope (see page 17) Color code: ■
198 070 500	SC series visual obturator to use with 25 Fr. SC series cystoscopy sheath ref. 198 070 500 to use with 4mm telescope (see page 17) Color code: □

3 CYSTOSCOPY

CHART FOR INSTRUMENT CHANNEL CAPACITY

Chart for instrument channel capacity - Quick-Lock connecting system

Cystoscope sheaths	Capacity with albarran deflector		Capacity with adaptor bridge	
	196 010 010	196 010 020	196 050 200	196 050 300
196 020 100 17.5 Fr. ■	1 x 5 Fr.	2 x 4 Fr. or 1 x 5 Fr.	1 x 5 Fr.	2 x 4 Fr. or 1 x 5 Fr.
196 020 200 19.5 Fr. ■	1 x 6 Fr.	2 x 5 Fr. or 1 x 6 Fr.	1 x 6 Fr.	2 x 5 Fr. or 1 x 6 Fr.
196 020 300 21.0 Fr. ■	1 x 7 Fr.	2 x 6 Fr. or 1 x 7 Fr.	1 x 7 Fr.	2 x 6 Fr. or 1 x 7 Fr.
196 020 400 23.0 Fr. ■	1 x 9 Fr.	2 x 7 Fr. or 1 x 9 Fr.	1 x 9 Fr.	2 x 7 Fr. or 1 x 9 Fr.
196 020 500 25.0 Fr. □	1 x 9 Fr.	2 x 7 Fr. or 1 x 9 Fr.	1 x 9 Fr.	2 x 7 Fr. or 1 x 9 Fr.

Chart for instrument channel capacity - SC series connecting system

Cystoscope sheaths	Capacity with albarran deflector		Capacity with adaptor bridge	
	198 010 010	198 010 020	198 050 200	198 050 300
198 020 100 17.0 Fr. ■	1 x 5 Fr.	2 x 4 Fr. or 1 x 5 Fr.	1 x 5 Fr.	2 x 4 Fr. or 1 x 5 Fr.
198 020 200 19.0 Fr. ■	1 x 6 Fr.	2 x 5 Fr. or 1 x 6 Fr.	1 x 6 Fr.	2 x 5 Fr. or 1 x 6 Fr.
198 020 300 20.0 Fr. ■	1 x 7 Fr.	2 x 6 Fr. or 1 x 7 Fr.	1 x 7 Fr.	2 x 6 Fr. or 1 x 7 Fr.
198 020 400 22.0 Fr. ■	1 x 9 Fr.	2 x 7 Fr. or 1 x 9 Fr.	1 x 9 Fr.	2 x 7 Fr. or 1 x 9 Fr.
198 020 500 25.0 Fr. □	1 x 9 Fr.	2 x 7 Fr. or 1 x 9 Fr.	1 x 9 Fr.	2 x 7 Fr. or 1 x 9 Fr.

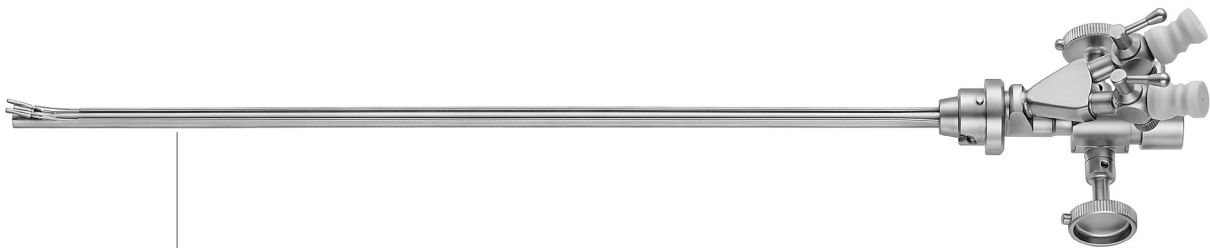
3 CYSTOSCOPY

QUICK-LOCK ALBARRAN DEFLECTING MECHANISM

Thanks to one or two working channels, the Albarran deflecting mechanisms allow the use of electro surgery probes as well as of flexible instruments. These devices can be aim towards located area thanks to the deflecting mechanism.



Art.-No.	Description
196 010 010	Albarran deflector mechanism with one working channel to use with 4mm telescope (see page 17) to use with Quick-Lock cystoscopy sheaths (see page 23) working channel for instrument up to 9Fr. (see chart page 29)



Art.-No.	Description
196 010 020	Albarran deflector mechanism with two working channels to use with 4mm telescope (see page 17) to use with Quick-Lock cystoscopy sheaths (see page 23) working channel for instrument up to 9Fr. (see chart page 29)

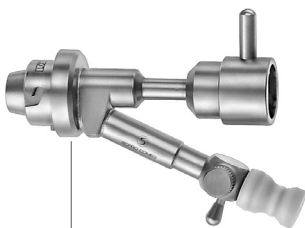
3 CYSTOSCOPY

QUICK LOCK ADAPTER BRIDGES

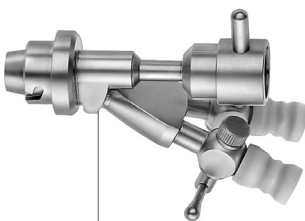
The function of adapter bridges is to adapt the total length of cystoscopy sheath to telescope length. Thanks to additional working channel, it allows the use of electro surgery probes and flexible instruments.



Art.-No.	Description
196 050 100	Quick-Lock adapter bridge for diagnostic to use with 4mm telescope (see page 17) to use with Quick-Lock cystoscopy sheaths (see page 23)



Art.-No.	Description
196 050 200	Quick-Lock adapter bridge with one working channel to use with 4mm telescope (see page 17) to use with Quick-Lock cystoscopy sheaths (see page 23) working channel for instrument up to 9Fr. (see chart page 29)

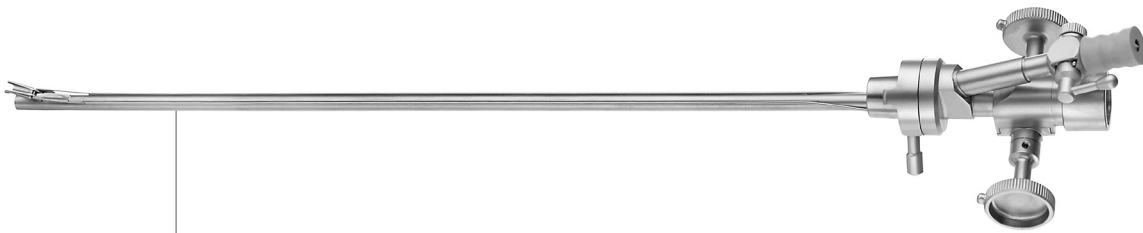


Art.-No.	Description
196 050 300	Quick-Lock adapter bridge with two working channels to use with 4mm telescope (see page 17) to use with Quick-Lock cystoscopy sheaths (see page 23) working channel for instrument up to 9Fr. (see chart page 29)

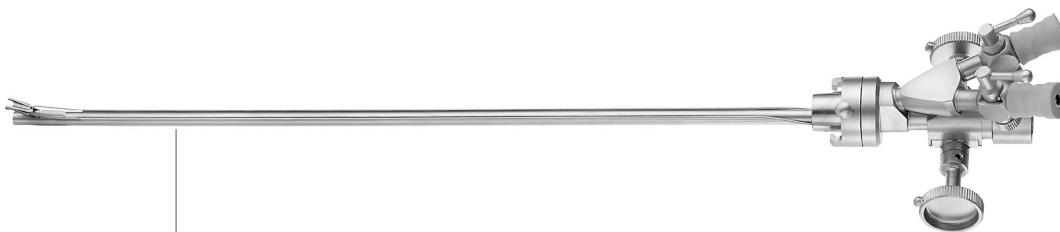
3 CYSTOSCOPY

SC SERIES ALBARRAN DEFLECTING MECHANISM

Thanks to one or two working channels the Albarran deflecting mechanisms allow the use of electro surgery probes as well flexible instruments. These devices can be aim towards located area thanks to the deflecting mechanism.



Art.-No.	Description
198 010 010	Albarran deflector mechanism with one working channel to use with 4mm telescope (see page 17) to use with SC series cystoscopy sheaths (see page 26) working channel for instrument up to 9Fr. (see chart page 29)

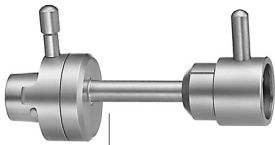


Art.-No.	Description
198 010 020	Albarran deflector mechanism with two working channels to use with 4mm telescope (see page 17) to use with SC series cystoscopy sheaths (see page 26) working channel for instrument up to 9Fr. (see chart page 29)

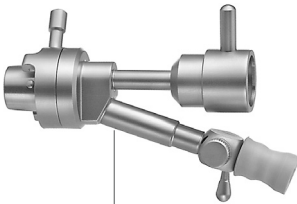
3 CYSTOSCOPY

SC SERIES ADAPTER BRIDGES

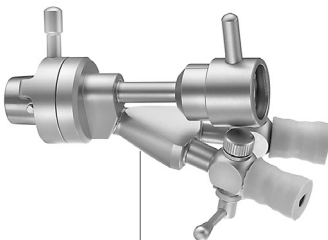
The function of adapter bridges is to adapt the total length of telescope sheath to cystoscope length. Thanks to additional working channel, it allows the use of electro surgery probes and flexible instruments.



Art.-No.	Description
198 050 100	SC series adapter bridge for diagnostic to use with 4mm telescope (see page 17) to use with SC series cystoscopy sheaths (see page 26)



Art.-No.	Description
198 050 200	SC series adapter bridge with one working channel to use with 4mm telescope (see page 17) to use with SC series cystoscopy sheaths (see page 26) working channel for instrument up to 9Fr. (see chart page 29)



Art.-No.	Description
198 050 300	SC series adapter bridge with two working channels to use with 4mm telescope (see page 17) to use with SC series cystoscopy sheaths (see page 26) working channel for instrument up to 9Fr. (see chart page 29)

3 CYSTOSCOPY

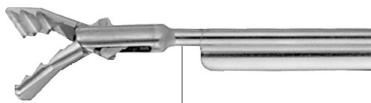
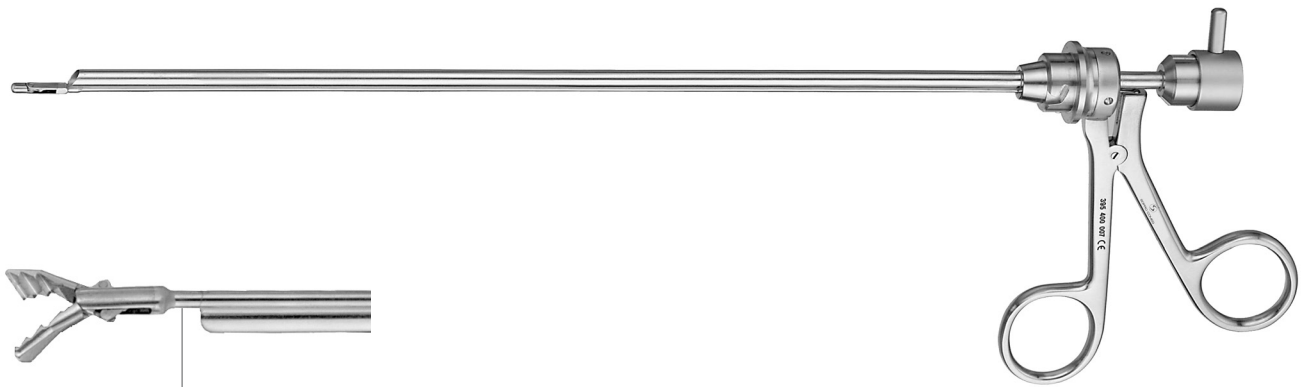
QUICK-LOCK OPTICAL INSTRUMENTATION

The following optical instrumentation are used directly with Quick-Lock cystoscopy sheath or can be used with Quick-Lock resectoscopy sheath thanks to the adapter ref. 195 091 600.

This instrumentation are used with following 4mm telescopes exclusively:

- 165 403 000 : 4mm straight forward telescope 0°
- 165 403 001 : 4mm telescope 12°
- 165 403 002 : 4mm forward oblique telescope 30°

A minimum of 19,5 Fr. Quick-Lock cystoscopy sheath is required.



Art.-No.	Description
395 400 035	Quick-Lock optical grasping forceps Double action jaws for stent removal to use with 4mm telescope (see page 17) to use with Quick-Lock cystoscopy sheath from 19,5 Fr. (see page 23) or with Quick-Lock resectoscopy sheath and adapter ref. 195 091 600 (see page 35)



Art.-No.	Description
395 400 007	Quick-Lock short jaw optical biopsy forceps Double action jaws, forceps located at the bottom of endoscope channel. to use with 4mm telescope (see page 17) to use with Quick-Lock cystoscopy sheath from 19,5 Fr. (see page 23) or with Quick-Lock resectoscopy sheath and adapter ref. 195 091 600 (see page 35)



Art.-No.	Description
395 400 030	Quick-Lock optical biopsy forceps Double action jaws, spherical through cutting jaws. to use with 4mm telescope (see page 17) to use with Quick-Lock cystoscopy sheath from 19,5 Fr. (see page 23) or with Quick-Lock resectoscopy sheath and adapter ref. 195 091 600 (see page 35)

3 CYSTOSCOPY

QUICK-LOCK OPTICAL INSTRUMENTATION



Art.-No.	Description
395 400 008	Quick-Lock optical scissors Double action jaws, to use with 4mm telescope (see page 17) to use with Quick-Lock cystoscopy sheath from 19,5 Fr. (see page 23) or with Quick-Lock resectoscopy sheath and adapter ref. 195 091 600 (see below)



Art.-No.	Description
395 400 006	Quick-Lock optical stone crushing forceps Double action jaws, to use with 4mm telescope (see page 17) to use with Quick-Lock cystoscopy sheath from 23 Fr. (see page 23) or with Quick-Lock resectoscopy sheath and adapter ref. 195 091 600 (see below)



Art.-No.	Description
195 091 600	Quick-Lock adapter to use Quick-Lock optical forceps with Quick-Lock resectoscopy inner sheaths or Quick-Lock combi sheaths

3 CYSTOSCOPY

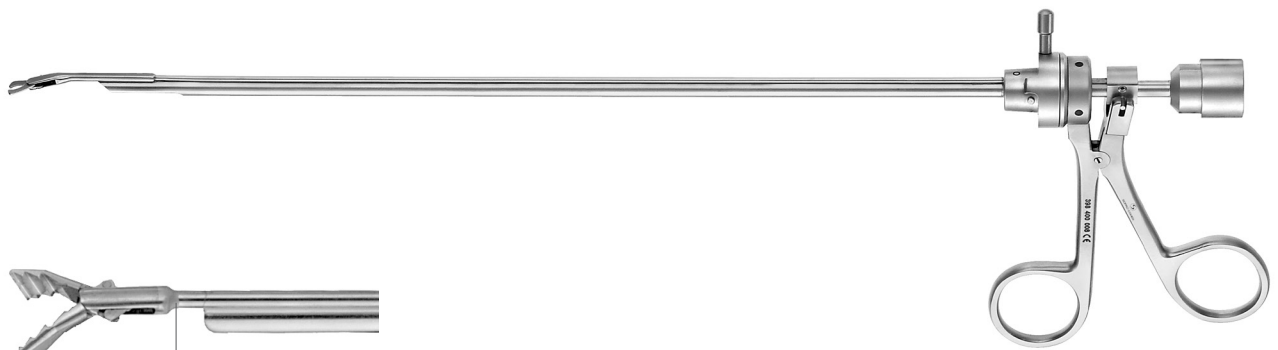
SC SERIES OPTICAL INSTRUMENTATION

The following optical instrumentation are used directly with SC series cystoscopy sheaths or can be used with SC series resectoscopy sheaths thanks to the adapter ref. 198 091 600 or 198 091 700

This instrumentation are used with following 4mm telescopes exclusively:

- 165 403 000 : 4mm straight forward telescope 0°
- 165 403 001 : 4mm telescope 12°
- 165 403 002 : 4mm forward oblique telescope 30°

A minimum SC series cystoscopy sheath of 20 Fr. is required.



Art.-No.	Description
395 400 035	SC series optical grasping forceps Double action jaws for stent removal to use with 4mm telescope (see page 17) to use with SC series cystoscopy sheath from 20 Fr. (see page 26) or with SC series resectoscopy sheath and adapter ref. 198 091 600 or ref. 198 091 700 (see page 37)



Art.-No.	Description
398 400 031	SC series short jaw optical biopsy forceps Double action jaws, forceps located at the bottom of endoscope channel to use with 4mm telescope (see page 17) to use with SC series cystoscopy sheath from 20 Fr. (see page 26) or with SC series resectoscopy sheath and adapter ref. 198 091 600 or ref. 198 091 700 (see page 37)



Art.-No.	Description
398 400 030	SC series optical biopsy forceps Double action jaws, spherical through cutting jaws to use with 4mm telescope (see page 17) to use with SC series cystoscopy sheath from 20 Fr. (see page 26) or with SC series resectoscopy sheath and adapter ref. 198 091 600 or ref. 198 091 700 (see page 37)

3 CYSTOSCOPY

SC SERIES OPTICAL INSTRUMENTATION



Art.-No.	Description
398 400 008	SC series optical scissors Double action jaws, to use with 4mm telescope (see page 17) to use with SC series cystoscopy sheath from 20 Fr. (see page 26) or with SC series resectoscopy sheath and adapter ref. 198 091 600 or ref. 198 091 700 (see below)



Art.-No.	Description
398 400 006	SC series optical stone crushing forceps Double action jaws, to use with 4mm telescope (see page 17) to use with SC series cystoscopy sheath from 25 Fr. (see page 26) or with SC series resectoscopy sheath and adapter ref. 198 091 600 or ref. 198 091 700 (see below)



Art.-No.	Description
198 091 600	SC series adapter to use SC series optical forceps with SC series resectoscopy inner sheaths or combi sheaths



Art.-No.	Description
198 091 700	SC series adapter to use SC series optical forceps with SC series resectoscopy outer sheaths

3 CYSTOSCOPY

COMPATIBILITY MATRIX

4mm telescope	Optical forceps	cystoscopy sheath	adapter	resectoscopy sheath
165 403 000 165 403 001 165 403 002	395 400 007 395 400 008 395 400 030 395 400 035	196 020 200 196 020 300 196 020 400 196 020 500		
			195 091 600	195 030 501 195 030 521 195 040 010 195 040 025 195 040 514 195 040 518 195 040 523 195 040 530
	395 400 006	195 020 400 195 020 500		
			195 091 600	195 030 501 195 030 521 195 040 010 195 040 025 195 040 514 195 040 523 195 040 530
	398 400 008 398 400 030 398 400 031 398 400 035	198 020 300 198 020 400 198 020 500		
			198 091 600	199 030 540 199 030 550 199 040 514 199 040 516
			198 091 700	199 040 540 199 040 550
	398 400 006	198 020 500		
			198 091 600	199 030 550 199 040 516
			198 091 700	199 040 550

3 CYSTOSCOPY

QUICK-LOCK CONTINUOUS FLOW LASER CYSTOSCOPY

In addition to our 4mm forward oblique telescope 30°, the SOPRO-COMEG continuous flow laser cystoscopy system allows the use of laser fibers in urethra, bladder or prostate.

The continuous flow insures a perfect control under endoscopic view and the SOPRO-COMEG Quick-Lock connecting system permits an easier and quicker use of this innovative device.

With its totally atraumatic distal tip and it's 7Fr. operating channel, the 23Fr. laser cystoscopy system is the device you need for urology laser procedures.

The large operating channel allows the use of catheter and flexible instruments (see page 43) and mainly all laser fibers. Continuous flow sheath and visual obturator are also available to adapt the device to your choices.



Art.-No.	Description
196 080 400	Continuous flow laser cystoscopy sheath, complete to use with 4mm forward oblique telescope 30°, ref. 165 403 002 with 7Fr. working channel delivered without obturator.



Art.-No.	Description
196 080 000	Quick-Lock inner sheath for continuous flow laser cystoscopy to use with 4mm forward oblique telescope 30°, ref. 165 403 002 to use with Quick-Lock outer sheath ref. 196 080 400 with 7Fr. working channel delivered without obturator.



Art.-No.	Description
196 080 100	23 Fr. Quick-Lock outer sheath for continuous flow laser cystoscopy to use with Quick-Lock inner sheath ref. 196 080 000

3 CYSTOSCOPY

QUICK-LOCK CONTINUOUS FLOW LASER CYSTOSCOPY

∅ 4 mm



Art.-No.	Description
165 403 002	Forward oblique telescope 30°, enlarged view length 301 mm with rod lenses optical system autoclavable with fiber optic light transmission incorporated Color code: ■



Art.-No.	Description
196 080 200	Quick-Lock standard obturator for continuous flow laser cystoscopy system to use with inner sheath ref. 196 080 000 or with combi sheath ref. 196 080 400



Art.-No.	Description
196 080 300	Quick-Lock visual obturator for continuous flow laser cystoscopy system to use with inner sheath ref. 196 080 000 or with combi sheath ref. 196 080 400

Company

Optics

Cystoscopy

Resectoscopy

Accessories for urology

Urethrotomy

Uretero-Renoscropy

Pediatric Urology

Lithotripsy

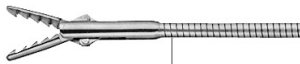
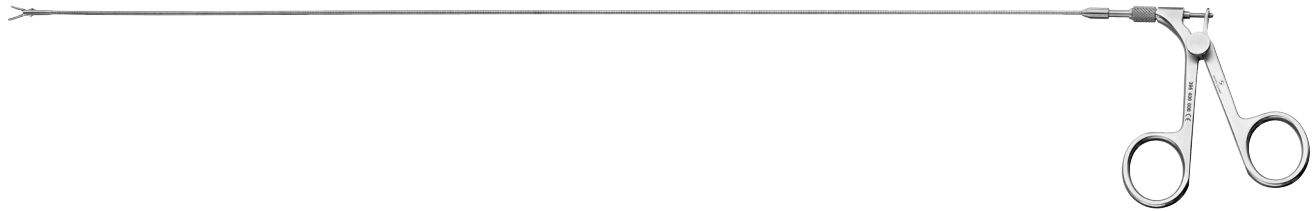
Nephroscopy

Sterilization
and maintenance

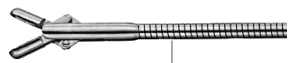
3 CYSTOSCOPY

FLEXIBLE INSTRUMENTATION

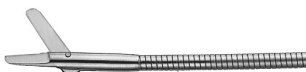
Specially designed for intensive use, the SOPRO-COMEG flexible instrumentation is the perfect tool to perform operating cystoscopy. Available in different sizes from 5 Fr. to 9 Fr. these flexible instruments are adapted to be use with Albarran deflecting mechanism or cystoscopy adapter bridges with operating channels.



Art.-No.	Description
395 400 020	5 Fr. flexible forceps for removal of foreign body double action jaws, autoclavable, 40 cm working length
395 400 000	7 Fr. flexible forceps for removal of foreign body double action jaws, autoclavable, 40 cm working length
395 400 001	9 Fr. flexible forceps for removal of foreign body double action jaws, autoclavable, 40 cm working length



Art.-No.	Description
395 400 021	5 Fr. flexible biopsy forceps double action jaws, autoclavable, 40 cm working length
395 400 002	7 Fr. flexible biopsy forceps double action jaws, autoclavable, 40 cm working length
395 400 003	9 Fr. flexible biopsy forceps double action jaws, autoclavable, 40 cm working length



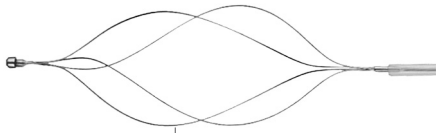
Art.-No.	Description
395 400 022	5 Fr. flexible scissors single action jaws, autoclavable, 40 cm working length
395 400 004	7 Fr. flexible scissors single action jaws, autoclavable, 40 cm working length
395 400 005	9 Fr. flexible scissors single action jaws, autoclavable, 40 cm working length



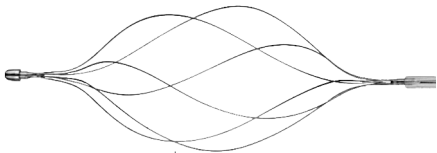
Art.-No.	Description
395 400 113	Foreign body forceps, 5 Fr. semi rigid - 40 cm
395 400 114	Biopsy body forceps, 5 Fr. semi rigid - 40 cm

3 CYSTOSCOPY

STONE BASKETS



Art.-No.	Description
395 400 100	5Fr. reusable basket for stone removal 4 wires 60cm working length



Art.-No.	Description
395 400 101	5Fr. reusable basket for stone removal 6 wires 60cm working length

Company

Optics

Cystoscopy

Resectoscopy

Accessories for urology

Urethrotomy

Uretero-Renoscropy

Pediatric Urology

Lithotripsy

Nephroscopy

Sterilization
and maintenance

3 CYSTOSCOPY

MONOPOLAR HF ELECTRODES



Art.-No.	Description
395 400 046	3Fr. monopolar button electrode 45 cm working length
395 400 047	4Fr. monopolar button electrode 45 cm working length
395 400 009	5Fr. monopolar button electrode 45 cm working length
395 400 010	6Fr. monopolar button electrode 45 cm working length
395 400 011	6Fr. monopolar button electrode 45 cm working length
395 400 012	8Fr. monopolar button electrode 45 cm working length



Art.-No.	Description
395 400 048	3Fr. monopolar needle electrode 45 cm working length
395 400 013	5Fr. monopolar needle electrode 45 cm working length
395 400 014	7Fr. monopolar needle electrode 45 cm working length



Art.-No.	Description
395 400 017	5Fr. monopolar loop electrode 45 cm working length
395 400 015	7Fr. monopolar loop electrode 45 cm working length



3 CYSTOSCOPY

MONOPOLAR HF CABLES



Art.-No.	Description
195 200 001	Monopolar high frequency cable 300 cm length For SOPRO-COMEG monopolar electrodes and monopolar resection working element With 8 mm banana plug To connect with electro surgery units model Valleylab and Karl Storz



Art.-No.	Description
195 200 002	Monopolar high frequency cable 300 cm length For SOPRO-COMEG monopolar electrodes and monopolar resection working element With 5 mm plug To connect with electro surgery units model Karl Storz and Erbe ACC/ICC



Art.-No.	Description
195 200 003	Monopolar high frequency cable 300 cm length For SOPRO-COMEG monopolar electrodes and monopolar resection working element With 4 mm plug To connect with electro surgery units model Martin, Berchtold and Aesculap



Art.-No.	Description
195 200 004	Monopolar high frequency cable 300 cm length For SOPRO-COMEG monopolar electrodes and monopolar resection working element With 4 mm banana plug To connect with electro surgery units model Martin, Berchtold, Erbe T serie and others

3 CYSTOSCOPY

BIPOLAR HF ELECTRODES



Art.-No.	Description
395 400 023	5Fr. flexible bipolar electrode, button 36cm working length



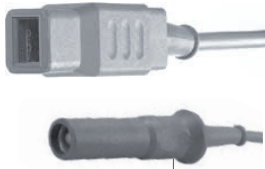
Art.-No.	Description
395 400 024	5Fr. flexible bipolar electrode, needle 36cm working length



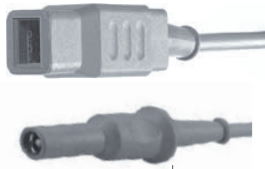
Art.-No.	Description
395 400 025	5Fr. flexible bipolar electrode, curved 36cm working length

3 CYSTOSCOPY

BIPOLAR HF CABLES



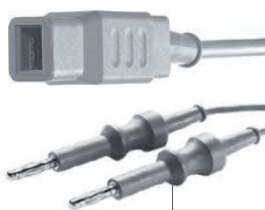
Art.-No.	Description
390 803 000	Bipolar High frequency cable 3m length For SOPRO-COMEG bipolar electrodes and forceps to connect with electro surgery units model SELECT and ERBE
390 805 000	Bipolar High frequency cable 5m length For SOPRO-COMEG bipolar electrodes and forceps to connect with electro surgery units model SELECT and ERBE



Art.-No.	Description
390 813 000	Bipolar High frequency cable 3m length For SOPRO-COMEG bipolar electrodes and forceps to connect with electro surgery units model MARTIN
390 815 000	Bipolar High frequency cable 5m length For SOPRO-COMEG bipolar electrodes and forceps to connect with electro surgery units model MARTIN



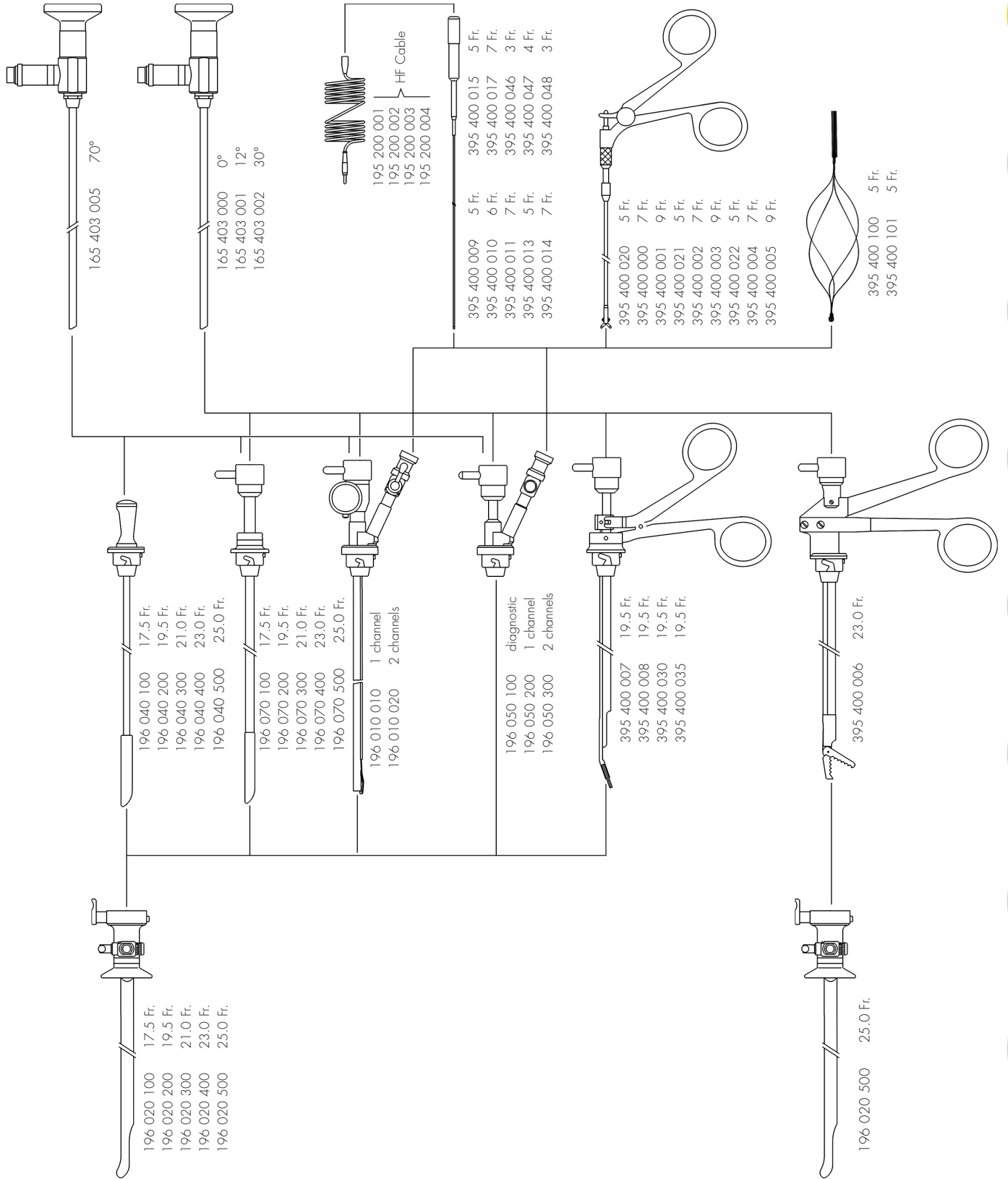
Art.-No.	Description
390 863 000	Bipolar High frequency cable 3m length For SOPRO-COMEG bipolar electrodes and forceps to connect with electro surgery units model AESCULAP
390 865 000	Bipolar High frequency cable 5m length For SOPRO-COMEG bipolar electrodes and forceps to connect with electro surgery units model AESCULAP



Art.-No.	Description
390 843 000	Bipolar High frequency cable 3m length For SOPRO-COMEG bipolar electrodes and forceps to connect with electro surgery units model AMERICAN UNITS
390 845 000	Bipolar High frequency cable 5m length For SOPRO-COMEG bipolar electrodes and forceps to connect with electro surgery units model AMERICAN UNITS

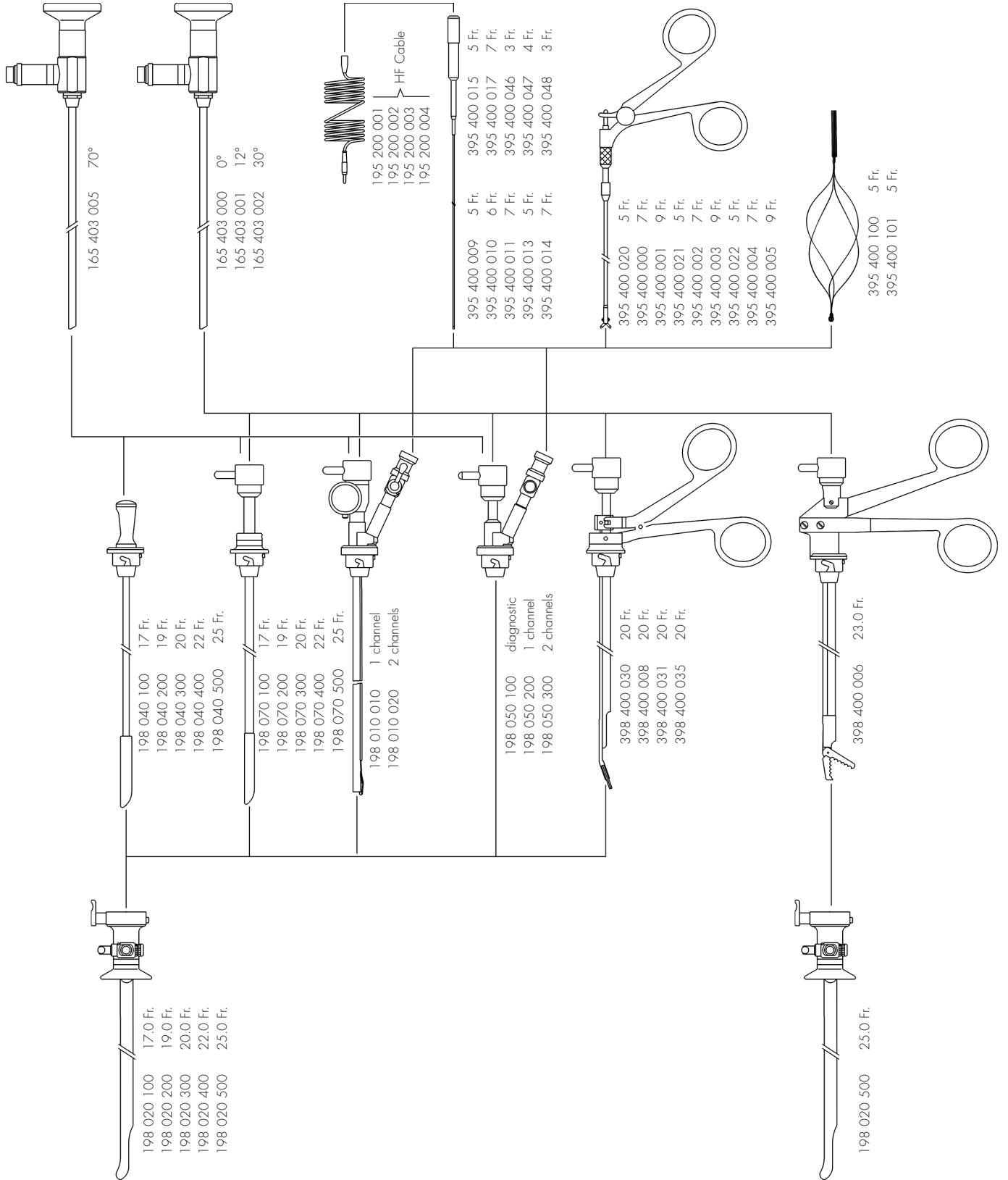
3 CYSTOSCOPY

QUICK-LOCK OVERVIEW



3 CYSTOSCOPY

SC SERIES OVERVIEW





4 RESECTOSCOPY

Monopolar resection	p55
Working elements	p55
Laser working elements	p57
Single flow resectoscopy sheaths	p58
Continuous flow resectoscopy sheaths	p60
Obturator	p64
Visual obturators	p66
High Frequency electrodes	p68
Monopolar High Frequency cable	p71
HF-resectoscope urethrotome	p72
Supra-pubic aspiration set	p74
Bipolar resection	p75
Working elements et resectoscopy sheath	p75
Obturator & bipolar electrodes	p76
Overviews	p77

4 RESECTOSCOPY

Since more than 25 years, SOPRO-COMEG is involved in developing transurethral resection (TUR) devices, the standard for resection of bladder tumors and prostatic hyperplasia.

The SOPRO-COMEG resection devices allow to proceed TUR in safety conditions and with exceptional optical quality. Nevertheless, SOPRO-COMEG also developed a laser resection device for physicians who are familiar with this procedure.

The innovative SOPRO-COMEG Quick-Lock connecting system permits to connect and disconnect endoscope and sheath in an easy and quicker gesture.

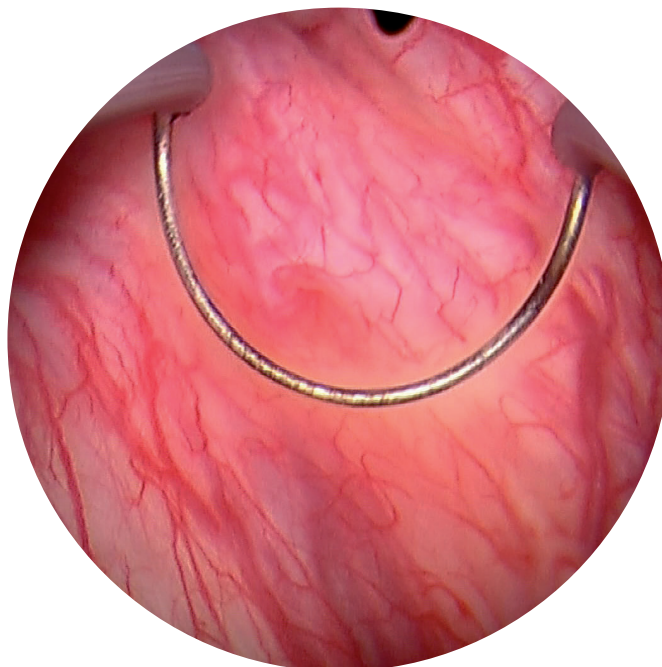
However, physician have also the possibility to use a standard connection, thanks to our SOPRO-COMEG SC series.

Passive or active, the SOPRO-COMEG working element, as well electrodes and sheaths, are made with the same quality in term of raw material, choice of stainless steel and human know-how.

Passive or active?

ACTIVE Active working element activate the electrode movement when physician is closing the handle.

PASSIVE Passive working element active the electrode movement when physician release the handle.

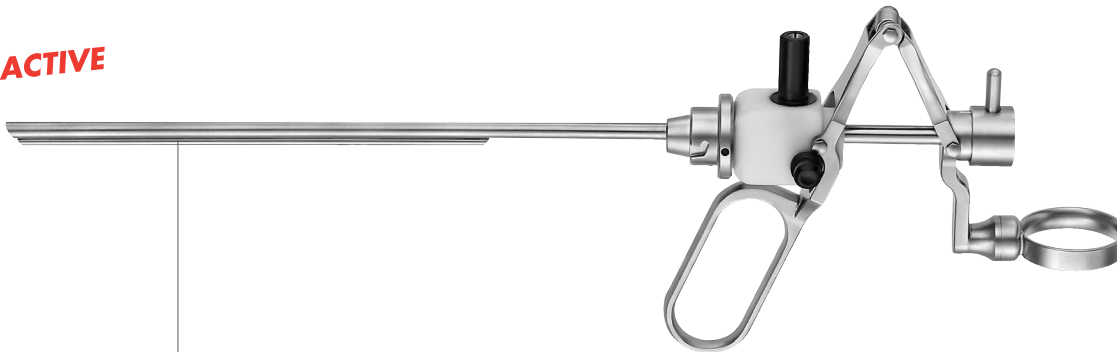


Resection

4 RESECTOSCOPY

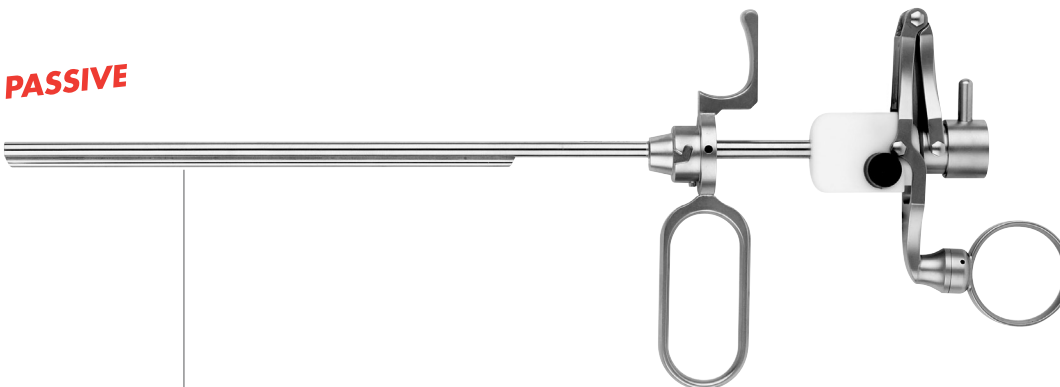
MONOPOLAR RESECTION WORKING ELEMENTS - QUICK-LOCK

ACTIVE



Art.-No.	Description
195 010 000	Active working element, Quick-Lock to use with 4mm telescope 12° ref. 165 403 001 or forward oblique telescope 30° ref. 165 403 002 to use with all Quick-Lock resectoscopy sheath
195 010 040	Active working element, Quick-Lock to use with 3mm telescope 12° ref. 165 303 001 or forward oblique telescope 30° ref. 165 303 002 to use with all Quick-Lock resectoscopy sheath

PASSIVE



Art.-No.	Description
195 020 000	Passive working element, Quick-Lock to use with 4mm telescope 12° ref. 165 403 001 or forward oblique telescope 30° ref. 165 403 002 to use with all Quick-Lock resectoscopy sheath
195 020 040	Passive working element, Quick-Lock to use with 3mm telescope 12° ref. 165 303 001 or forward oblique telescope 30° ref. 165 303 002 to use with all Quick-Lock resectoscopy sheath

4 RESECTOSCOPY

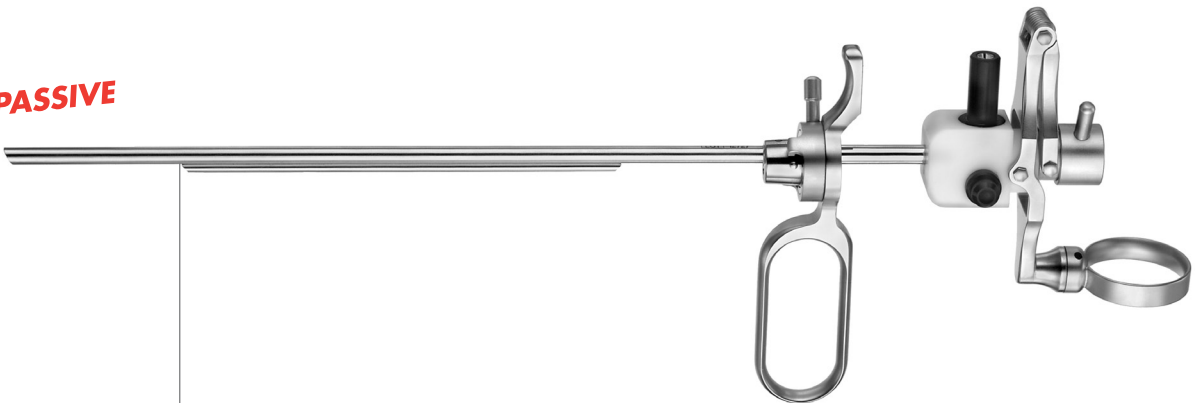
MONOPOLAR RESECTION WORKING ELEMENTS - SC SERIES

ACTIVE



Art.-No.	Description
199 010 020	Active working element, SC series to use with 4mm telescope 12° ref. 165 403 001 or forward oblique telescope 30° ref. 165 403 002 to use with SC series resectoscopy sheath

PASSIVE

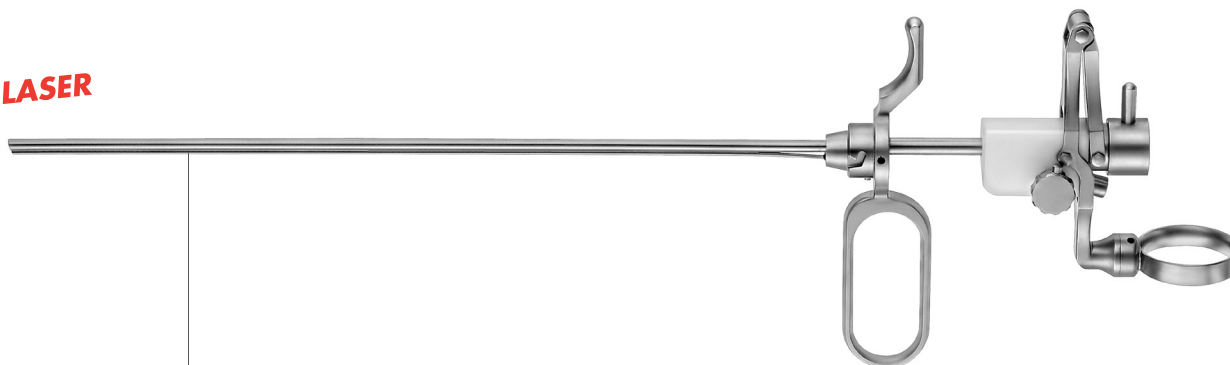


Art.-No.	Description
199 020 000	Passive working element, SC series to use with 4mm telescope 12° ref. 165 403 001 or forward oblique telescope 30° ref. 165 403 002 to use with SC series resectoscopy sheath

4 RESECTOSCOPY

MONOPOLAR RESECTION LASER WORKING ELEMENTS - QUICK-LOCK

LASER



Art.-No.	Description
195 400 020	Laser working element, Quick-Lock to use with 3mm telescope 12° ref. 165 303 001 or forward oblique telescope 30° ref. 165 303 002 to use with all Quick-Lock resectoscopy sheath fixation screw for perfect guidance of laser probes maximal probe diameter 0,8mm in resting position the probe is inside the sheath
195 400 025	Laser working element, Quick-Lock to use with 4mm telescope 12° ref. 165 403 001 or forward oblique telescope 30° ref. 165 403 002 to use with all Quick-Lock resectoscopy sheath fixation screw for perfect guidance of laser probes maximal probe diameter 0,8mm in resting position the probe is inside the sheath

LASER



Art.-No.	Description
199 075 030	7Fr. laser bridge to connect with 24Fr. SC series resectoscopy sheath Color code:

Company

Optics

Cystoscopy

Resectoscopy

Accessories for urology

Urethrotomy

Uretero-Renoscropy

Pediatric Urology

Lithotripsy

Nephroscopy

Sterilization
and maintenance

4 RESECTOSCOPY

MONOPOLAR RESECTION

SINGLE FLOW RESECTOSCOPY SHEATHS - QUICK-LOCK



Art.-No.	Description
195 040 025	21Fr. resectoscopy sheath, Quick-Lock single flow, with ceramic tip insulation with one fix stopcock for irrigation working length 208mm delivered with Quick-Lock standard obturator ref. 195 070 100 Color code: ■
195 040 010	24Fr. resectoscopy sheath, Quick-Lock single flow, with ceramic tip insulation with one fix stopcock for irrigation working length 200mm delivered with Quick-Lock standard obturator ref. 195 070 000 Color code: ■
195 040 530	27Fr. resectoscopy sheath, Quick-Lock single flow, with ceramic tip insulation with one fix stopcock for irrigation working length 200mm delivered with Quick-Lock standard obturator ref. 195 070 500 Color code: ■

Company

Optics

Cystoscopy

Resectoscopy

Accessories for urology

Urethrotomy

Uretero-Renoscropy

Pediatric Urology

Lithotripsy

Nephroscopy

Sterilization
and maintenance

4 RESECTOSCOPY

MONOPOLAR RESECTION SINGLE FLOW RESECTOSCOPY SHEATHS - SC SERIES



Art.-No.	Description
199 040 010	24Fr. resectoscopy sheath, SC series single flow, with ceramic tip insulation with one fix stopcock for irrigation working length 200mm delivered with SC series standard obturator ref. 199 070 000 Color code: ■
199 040 530	27Fr. resectoscopy sheath, SC series single flow, with ceramic tip insulation with one fix stopcock for irrigation working length 200mm delivered with SC series standard obturator ref. 199 080 000 Color code: ■

4 RESECTOSCOPY

MONOPOLAR RESECTION

CONTINUOUS FLOW RESECTOSCOPY SHEATH - QUICK-LOCK

The SOPRO COMEG continuous flow sheaths are specially designed for optimum continuous suction and irrigation. The continuous flow resectoscopy sheaths with fix stopcock are composed by one inner sheath and one outer sheath.



Art.-No.	Description
195 030 521	24Fr. Inner sheath, Quick-Lock with ceramic tip insulation, with one fix stopcock working length 200mm to use with 26Fr. Quick-Lock outer sheath ref. 195 040 525 Standard obturator ref. 195 070 000 has to be ordered separately
195 030 501	24Fr. Inner sheath, Quick-Lock with ceramic tip insulation, with one fix stopcock working length 200mm to use with 27Fr. Quick-Lock outer sheath ref. 195 040 540 Standard obturator ref. 195 070 000 has to be ordered separately



Art.-No.	Description
195 040 525	26Fr. Outer sheath, Quick-Lock with surrounding perforation, with one fix stopcock working length 200mm to use with 24Fr. Quick-Lock inner sheath ref. 195 030 521 to use with all Quick-Lock working element or with adapter ref. 195 091 600 to use Quick-Lock optical forceps
195 040 540	27Fr. Outer sheath, Quick-Lock with surrounding perforation, with one fix stopcock working length 200mm to use with 24Fr. Quick-Lock inner sheath ref. 195 030 501 to use with all Quick-Lock working element or with adapter ref. 195 091 600 to use Quick-Lock optical forceps



Art.-No.	Description
195 091 600	Adapter, Quick-Lock to use Quick-Lock optical forceps with Quick-Lock resectoscopy inner sheaths or combi sheath

4 RESECTOSCOPY

MONOPOLAR RESECTION

CONTINUOUS FLOW RESECTOSCOPY SHEATHS - SC SERIES



Art.-No.	Description
199 030 540	24Fr. Inner sheath, SC series with ceramic tip insulation, with one fix stopcock, working length 200mm to use with 26Fr. SC series outer sheath ref. 199 040 540 or with adapter ref. 198 091 600 to use optical forceps Standard obturator ref. 199 070 000 has to be ordered separately
199 030 550	27Fr. Inner sheath, SC series with ceramic tip insulation, with one fix stopcock, working length 200mm to use with 28Fr. SC series outer sheath ref. 195 040 540 or with adapter ref. 198 091 600 to use SC series optical forceps Standard obturator ref. 199 080 000 has to be ordered separately



Art.-No.	Description
199 040 540	26Fr. Outer sheath, SC series with surrounding perforation, with one fix stopcock, working length 200mm to use with 24Fr. SC series inner sheath ref. 199 030 540 to use with all SC series working element or with adapter ref. 198 091 700 to use SC series optical forceps
199 040 550	28Fr. Outer sheath, SC series with surrounding perforation, with one fix stopcock, working length 200mm to use with 27Fr. SC series inner sheath ref. 199 030 550 to use with all SC series working element or with adapter ref. 198 091 700 to use SC series optical forceps



Art.-No.	Description
198 091 600	Adapter, SC series to use SC series optical forceps with SC series resectoscopy inner sheaths or combi-sheath

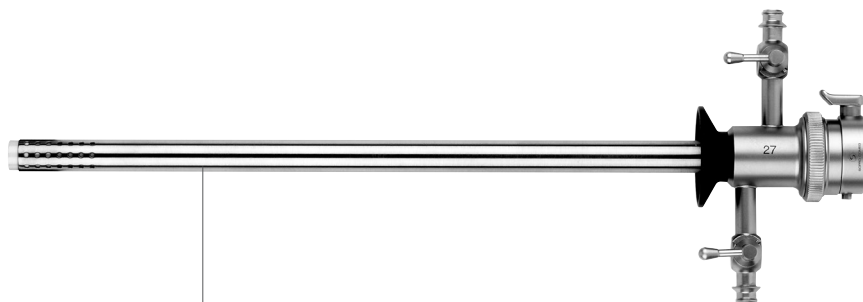


Art.-No.	Description
198 091 700	Adapter, SC series to use SC series optical forceps with SC series resectoscopy outer sheaths

4 RESECTOSCOPY

MONOPOLAR RESECTION

CONTINUOUS FLOW RESECTOSCOPY COMBI-SHEATHS - QUICK-LOCK



Art.-No.	Description
195 040 518	24Fr./21Fr. combi-sheath, Quick-Lock with surrounding perforation and ceramic tip insulation with two rotatable stopcocks working length 200mm to use with all Quick-Lock working elements standard obturator ref. 195 070 100 has to be ordered separately
195 040 523	26Fr./24Fr. combi-sheath, Quick-Lock with surrounding perforation and ceramic tip insulation with two rotatable stopcocks working length 200mm to use with all Quick-Lock working elements or with adapter ref. 195 091 600 to use Quick-Lock optical forceps standard obturator ref. 195 070 000 has to be ordered separately
195 040 514	27Fr./24Fr. combi-sheath, Quick-Lock with surrounding perforation and ceramic tip insulation with two rotatable stopcocks working length 200mm to use with all Quick-Lock working elements or with adapter ref. 195 091 600 to use Quick-Lock optical forceps standard obturator ref. 195 070 000 has to be ordered separately



Art.-No.	Description
195 091 600	Adapter, Quick-Lock to use Quick-Lock optical forceps with Quick-Lock resectoscopy inner sheaths or combi sheath

4 RESECTOSCOPY

MONOPOLAR RESECTION

CONTINUOUS FLOW RESECTOSCOPY COMBI-SHEATHS - SC SERIES



Art.-No.	Description
199 040 514	26Fr./24Fr. combi-sheath, SC series with surrounding perforation and ceramic tip insulation with two rotatable stopcocks working length 200mm to use with all SC series working elements or with adapter ref. 198 091 600 to use SC series optical forceps standard obturator ref. 199 070 000 has to be ordered separately
199 040 516	28Fr./27Fr. combi-sheath, SC series with surrounding perforation and ceramic tip insulation with two rotatable stopcocks working length 200mm to use with all SC series working elements or with adapter ref. 198 091 600 to use SC series optical forceps standard obturator ref. 199 080 000 has to be ordered separately



Art.-No.	Description
198 091 600	Adapter, SC series to use SC series optical forceps with SC series resectoscopy inner sheaths or combi-sheath

4 RESECTOSCOPY

MONOPOLAR RESECTION OBTURATORS - QUICK-LOCK



Art.-No.	Description
195 070 100	21 Fr. Standard obturator to use with 21Fr. Quick-Lock resectoscopy sheath Color code: ■
195 070 000	24 Fr. Standard obturator to use with 24Fr. Quick-Lock resectoscopy sheath Color code: ■
195 070 500	27 Fr. Standard obturator to use with 27Fr. Quick-Lock resectoscopy sheath Color code: ■



Art.-No.	Description
195 060 000	24 Fr. Deflecting obturator to use with 24Fr. Quick-Lock resectoscopy sheath Color code: ■
195 070 250	27Fr. Deflecting obturator to use with 27Fr Quick-Lock resectoscopy sheath Color code: ■



Art.-No.	Description
195 050 002	24 Fr. Atraumatic distending obturator to use with 24Fr. Quick-Lock resectoscopy sheath Color code: ■
195 050 102	27Fr. Atraumatic distending obturator to use with 27Fr Quick-Lock resectoscopy sheath Color code: ■

4 RESECTOSCOPY

MONOPOLAR RESECTION OBTURATORS - SC SERIES



Art.-No.	Description
199 070 000	24 Fr. Standard obturator .to use with 24 Fr. SC series resectoscopy sheath Color code: ■
199 080 000	27 Fr. Standard obturator .to use with 27 Fr. SC series resectoscopy sheath Color code: ■



Art.-No.	Description
199 060 000	24 Fr. Deflecting obturator .to use with 24Fr. SC series resectoscopy sheath Color code: ■



Art.-No.	Description
199 050 002	24 Fr. Atraumatic distending obturator .to use with 24Fr. SC series resectoscopy sheath Color code: ■
199 050 102	27 Fr. Atraumatic distending obturator .to use with 27Fr. SC series resectoscopy sheath Color code: ■

4 RESECTOSCOPY

MONOPOLAR RESECTION VISUAL OBTURATORS - QUICK-LOCK

The Quick-Lock visual obturator permits to physician to add the benefit of insertion under direct view to innovative Quick-Lock connecting system.



Art.-No.	Description
195 075 020	21 Fr. Visual obturator to use with 21Fr. Quick-Lock resectoscopy sheath to use with 3mm telescope (see page 16) Color code: ■
195 075 000	24 Fr. Visual obturator to use with 24Fr. Quick-Lock resectoscopy sheath to use with 4mm telescope (see page 17) Color code: ■



Art.-No.	Description
195 075 010	24 Fr. Visual obturator with 5Fr. working channel for flexible instruments to use with 24Fr. Quick-Lock resectoscopy sheath to use with 4mm telescope (see page 17) Color code: ■

4 RESECTOSCOPY

MONOPOLAR RESECTION VISUAL OBTURATOR - SC SERIES



Art.-No.	Description
199 075 010	24 Fr. Visual obturator with 5Fr. working channel for flexible instruments to use with 24Fr. SC series resectoscopy sheath to use with 4mm telescope (see page 17) Color code: ■

4 RESECTOSCOPY

MONOPOLAR RESECTION

ONE STEM HF MONOPOLAR ELECTRODES - QUICK-LOCK



Art.-No.	Description
195 100 007	Cutting loop, angled, 21 Fr. wire diameter 0,35 mm
195 100 000	Cutting loop, angled, 24 Fr. wire diameter 0,35 mm
195 100 008	Cutting loop, angled, 24 Fr. wire diameter 0,25 mm
195 100 005	Cutting loop, angled, 27 Fr. wire diameter 0,35 mm



Art.-No.	Description
195 100 001	Cutting loop, straight, 24 Fr. wire diameter 0,35 mm
195 100 006	Cutting loop, straight, 27 Fr. wire diameter 0,35 mm



Art.-No.	Description
195 100 002	Cutting loop, angled 90°, 24 Fr. wire diameter 0,35 mm



Art.-No.	Description
195 100 010	Coagulating electrode, pointed, 24 Fr.

4 RESECTOSCOPY

MONOPOLAR RESECTION

ONE STEM HF MONOPOLAR ELECTRODES - QUICK-LOCK



Art.-No.	Description
195 100 020	Vaporization electrode, roller Ø 3mm, 24 Fr.
195 100 021	Vaporization electrode, roller Ø 5mm, 24 Fr.



Art.-No.	Description
195 100 030	Coagulating electrode, conical, 24 Fr.



Art.-No.	Description
195 100 040	Coagulating electrode, roller Ø 3mm, 24 Fr.



Art.-No.	Description
195 100 052	Coagulating electrode, ball shaped Ø 3mm, 21 Fr.
195 100 050	Coagulating electrode, ball shaped Ø 3mm, 24 Fr.
195 100 051	Coagulating electrode, ball shaped Ø 5mm, 24 Fr.

4 RESECTOSCOPY

MONOPOLAR RESECTION

ONE STEM HF MONOPOLAR ELECTRODES - SC SERIES



Art.-No.	Description
397 500 007	Cutting loop, angled, 24 Fr. wire diameter 0,35 mm



Art.-No.	Description
397 500 008	Cutting loop, straight, 24 Fr. wire diameter 0,35 mm



Art.-No.	Description
397 500 000	Cutting loop, angled, 27 Fr. wire diameter 0,35 mm



Art.-No.	Description
397 500 001	Coagulating electrode, ball shaped, Ø 3mm, 24Fr.



Art.-No.	Description
397 500 009	Coagulating electrode, pointed, 24 Fr.

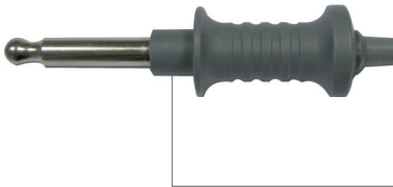


Art.-No.	Description
397 500 016	Coagulating electrode, roller Ø 3mm, 24 Fr.

End of electrodes: 

4 RESECTOSCOPY

MONOPOLAR RESECTION MONOPOLAR HIGH FREQUENCY CABLE



Art.-No.	Description
195 200 001	Monopolar high frequency cable 300 cm length For SOPRO-COMEG monopolar electrodes and monopolar resection working element With 8 mm banana plug To connect with electro surgery units model Valleylab and Karl Storz



Art.-No.	Description
195 200 002	Monopolar high frequency cable 300 cm length For SOPRO-COMEG monopolar electrodes and monopolar resection working element With 5 mm plug To connect with electro surgery units model Karl Storz and Erbe ACC/ICC



Art.-No.	Description
195 200 003	Monopolar high frequency cable 300 cm length For SOPRO-COMEG monopolar electrodes and monopolar resection working element With 4 mm plug To connect with electro surgery units model Martin, Berchtold and Aesculap



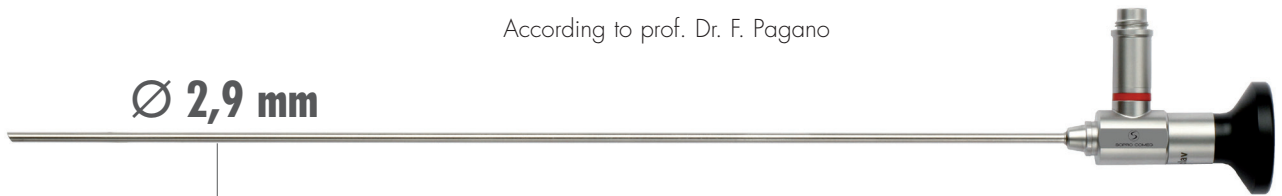
Art.-No.	Description
195 200 004	Monopolar high frequency cable 300 cm length For SOPRO-COMEG monopolar electrodes and monopolar resection working element With 4 mm banana plug To connect with electro surgery units model Martin, Berchtold, Erbe T serie and others

4 RESECTOSCOPY

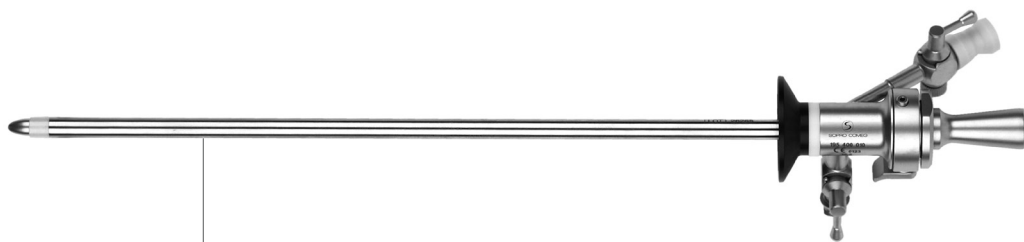
MONOPOLAR RESECTION HF-RESECTOSCOPE URETHROTOME

According to prof. Dr. F. Pagano

Ø 2,9 mm



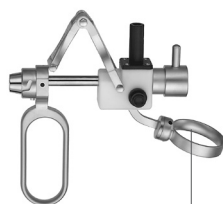
Art.-No.	Description
165 293 000	PAGANO straight forward telescope 0° enlarged view, length 301mm with rod lenses optical system, autoclavable with fiber optic light transmission incorporated Color code: ■
165 293 002	PAGANO forward oblique telescope 30° enlarged view, length 301mm with rod lenses optical system, autoclavable with fiber optic light transmission incorporated Color code: ■



Art.-No.	Description
195 400 010	Sheath "PAGANO" 15.5 Fr. one fix stopcock, working length 192mm with ceramical tip including obturator "PAGANO"



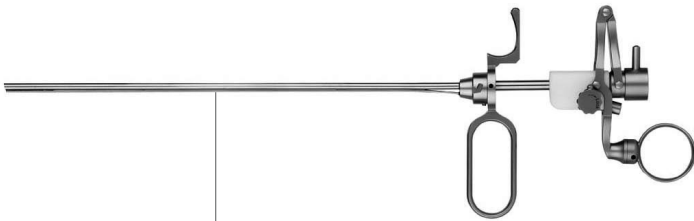
Art.-No.	Description
195 400 050	Standard obturator "PAGANO"



Art.-No.	Description
195 400 000	Working element "PAGANO" standard

4 RESECTOSCOPY

MONOPOLAR RESECTION HF-RESECTOSCOPE URETHROTOME



Art.-No.	Description
195 400 001	Working element "PAGANO" with laser guidance



Art.-No.	Description
195 400 100	Loop electrode "PAGANO" bent Size 1



Art.-No.	Description
195 400 101	Loop electrode "PAGANO" bent Size 2



Art.-No.	Description
195 400 110	Urethrotomy knife "PAGANO" cold cutting

4 RESECTOSCOPY

MONOPOLAR RESECTION - SUPRA-PUBIC ASPIRATION SET



Art.-No.	Description
195 200 200	Complete supra-pubic trocar including 16Fr. supra-pubic trocar sleeve ref. 195 200 220 and trocar with pyramidal tip ref. 195 200 210



Art.-No.	Description
195 200 210	Trocar with pyramidal tip



Art.-No.	Description
195 200 220	16 Fr. trocar sleeve for supra-pubic aspiration set



Art.-No.	Description
195 200 230	5,5mm aspiration cannula



Art.-No.	Description
195 200 270	4,5mm aspiration cannula



Art.-No.	Description
195 200 260	Stabilisation disc with lateral opening

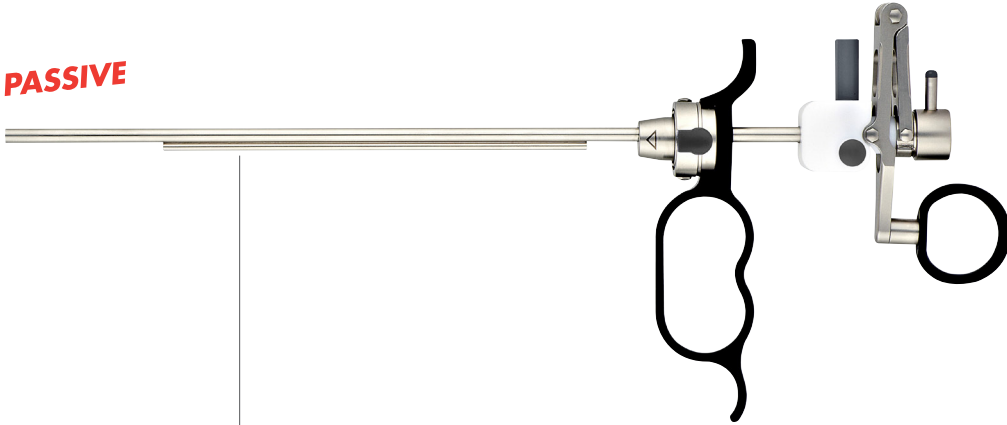


Art.-No.	Description
195 200 250	Guide sleeve with lateral opening to use for catheter insertion

4 RESECTOSCOPY

BIPOLAR RESECTION - WORKING ELEMENTS

PASSIVE



Art.-No.	Description
395 015 001	Passive Quick-lock working element for NaCl resectoscope To use with 4mm telescope 12° ref. 165 403 001 Or forward oblique telescope 30° ref. 165 403 002

ACTIVE



Art.-No.	Description
395 015 002	Active Quick-lock working element for NaCl resectoscope To use with 4mm telescope 12° ref. 165 403 001 Or forward oblique telescope 30° ref. 165 403 002

BIPOLAR RESECTION - RESECTOSCOPY SHEATH



Art.-No.	Description
395 015 027	26Fr./24Fr. Quick-lock sheath for NaCl resectoscope Continuous flow Delivered with 24Fr. Quick-lock standard obturator ref. 395 015 019

4 RESECTOSCOPY

BIPOLAR RESECTION - OBTURATOR



Art.-No.	Description
395 015 019	24Fr. Quick-lock standard obturator For sheath 395 015 027

BIPOLAR RESECTION - BIPOLAR ELECTRODES



Art.-No.	Description
395 400 026	24Fr. NaCl cutting loop electrode Wire Ø 0.35mm, reusable



Art.-No.	Description
395 400 027	24Fr. NaCl coagulation electrode Collins type Reusable



Art.-No.	Description
395 400 028	24Fr. NaCl cutting loop electrode, ball shape 3mm Reusable



Art.-No.	Description
395 400 029	24Fr. NaCl coagulation electrode, ball shape 5mm Reusable

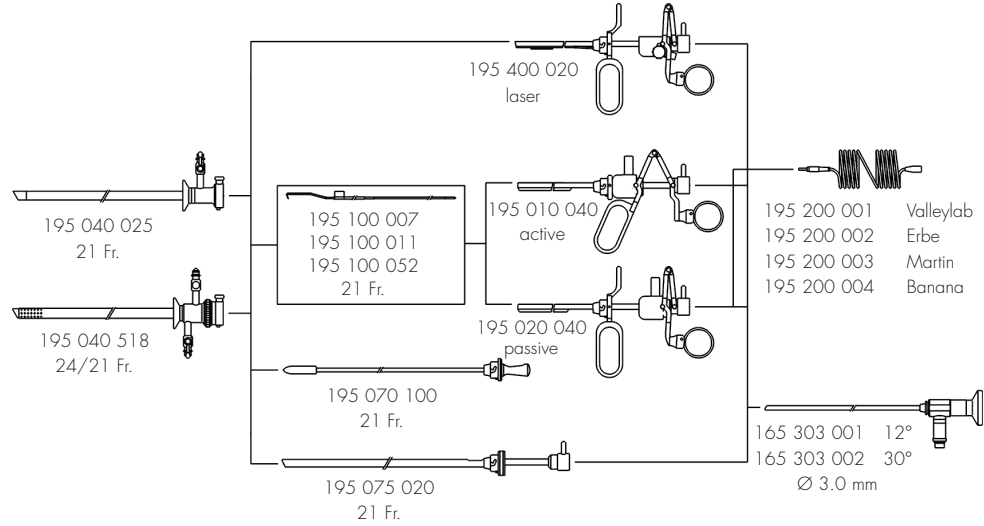


Art.-No.	Description
395 400 031	24Fr. NaCl coagulation electrode, roller Reusable

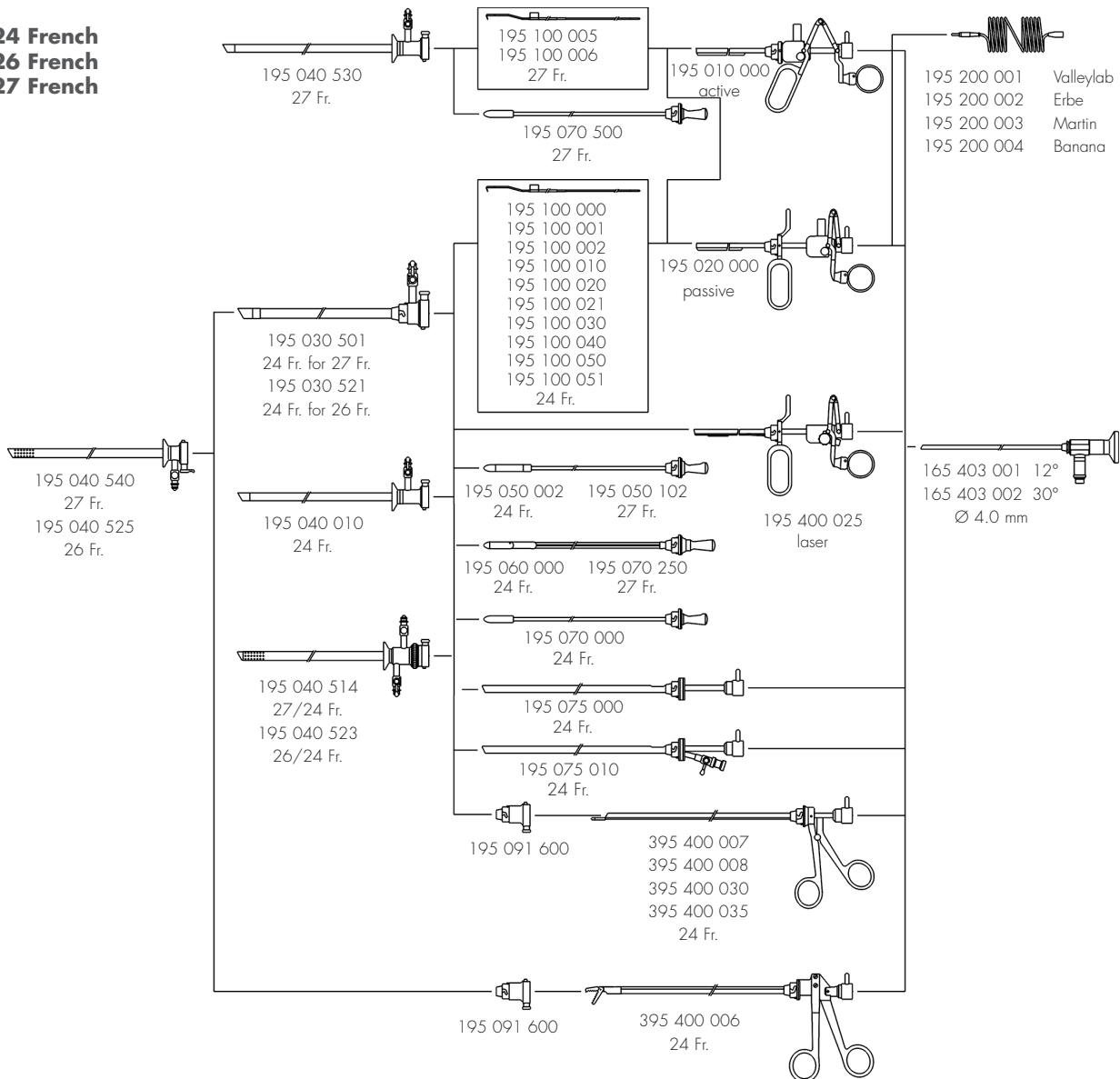
4 RESECTOSCOPY

QUICK-LOCK OVERVIEW

21 French
24 French



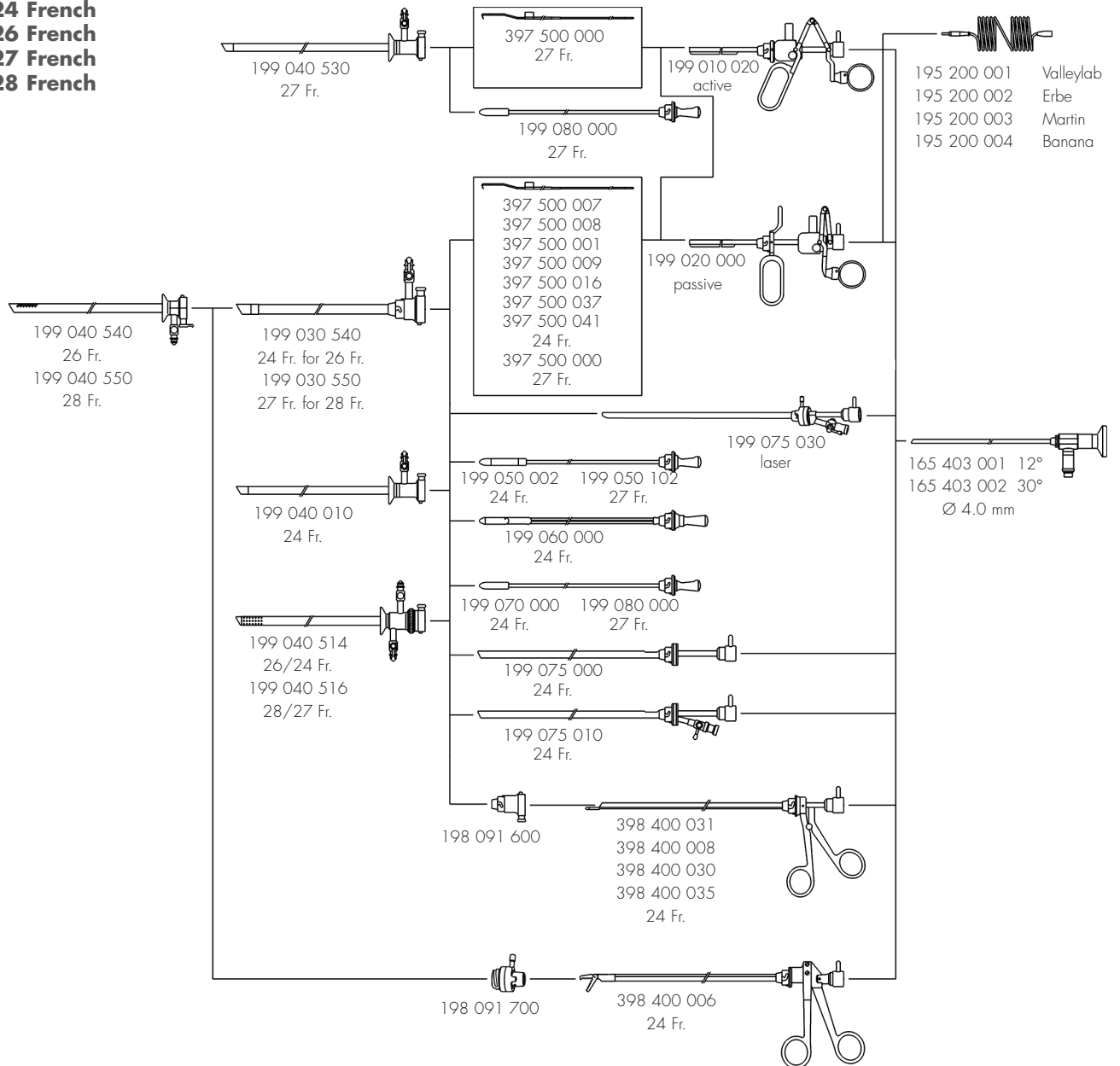
24 French
26 French
27 French



4 RESECTOSCOPY

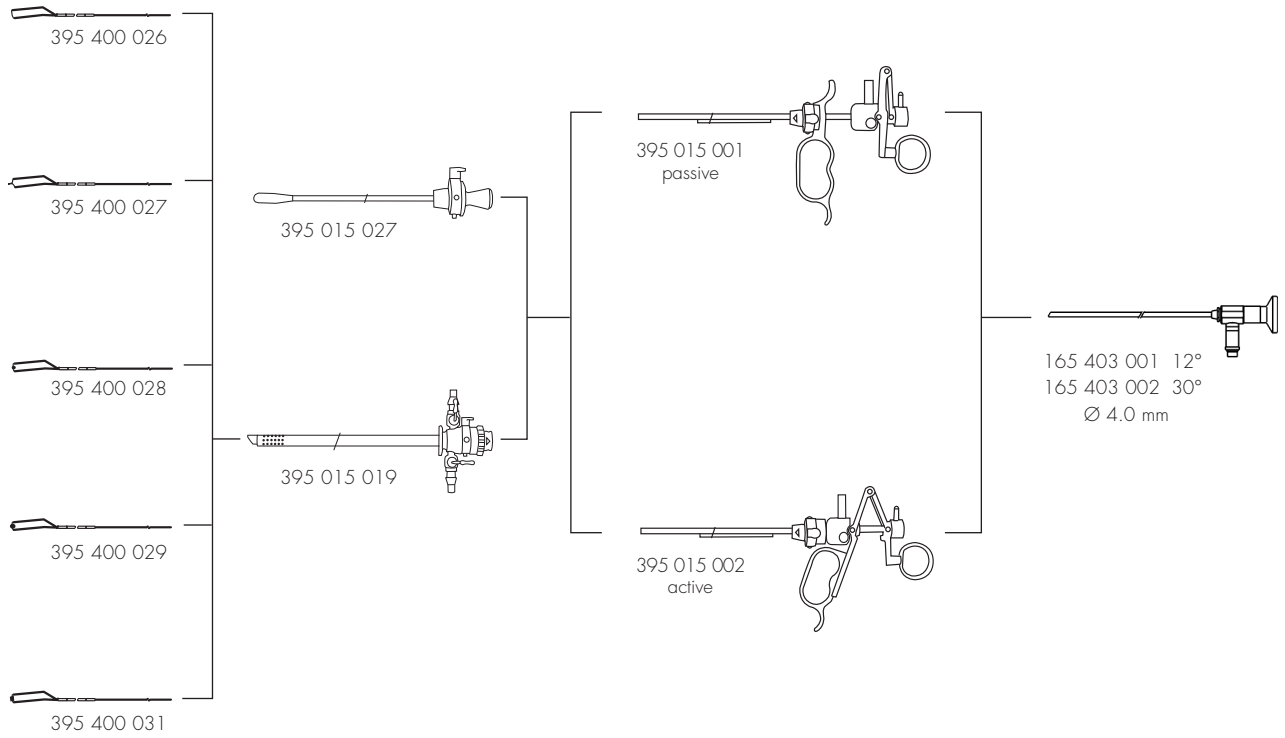
SC SERIES OVERVIEW

24 French
26 French
27 French
28 French



4 RESECTOSCOPY

BIPOLAR RESECTION OVERVIEW





5 ACCESSORIES FOR UROLOGY

Bougies	p82
Orifice stretcher and ruler.	p83
Accessorie	p83
Quick-Lock accessories	p84
SC series accessories	p85
Adapters.	p86
Light cables and connectors	p87

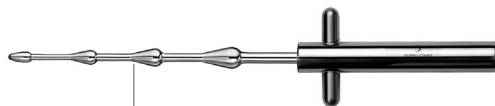
5 ACCESSORIES FOR UROLOGY

BOUGIES



Art.-No.	Description
395 410 007	9 Fr. bougie with channel, straight for 5Fr. probes for male urethra
395 410 008	10,5 Fr. bougie with channel, straight for 5Fr. probes for male urethra
395 410 009	12 Fr. bougie with channel, straight for 5Fr. probes for male urethra
395 410 010	13,5 Fr. bougie with channel, straight for 5Fr. probes for male urethra
395 410 011	15 Fr. bougie with channel, straight for 5Fr. probes for male urethra
395 410 012	16,5 Fr. bougie with channel, straight for 5Fr. probes for male urethra
395 410 013	18 Fr. bougie with channel, straight for 5Fr. probes for male urethra

Art.-No.	Description
395 410 014	19,5 Fr. bougie with channel, straight for 5Fr. probes for male urethra
395 410 015	21 Fr. bougie with channel, straight for 5Fr. probes for male urethra
395 410 016	22,5 Fr. bougie with channel, straight for 5Fr. probes for male urethra
395 410 017	24 Fr. bougie with channel, straight for 5Fr. probes for male urethra
395 410 018	25,5 Fr. bougie with channel, straight for 5Fr. probes for male urethra
395 410 019	27 Fr. bougie with channel, straight for 5Fr. probes for male urethra
395 410 020	28,5 Fr. bougie with channel, straight for 5Fr. probes for male urethra



Art.-No.	Description
395 410 004	Bougies à boule 9-12-15-18 Fr. for female urethra



Art.-No.	Description
395 410 005	Bougies à boule 21-24-27-30 Fr. for female urethra

5 ACCESSORIES FOR UROLOGY

ORIFICE STRETCHER AND RULER



Art.-No.	Description
395 410 001	Orifice stretcher and ruler, graduated Size 9-12-15-18Fr.



Art.-No.	Description
395 410 002	Orifice stretcher and ruler, graduated Size 16,5 - 22,5 Fr.



Art.-No.	Description
395 410 003	Orifice stretcher and ruler, graduated Size 22,5 - 28,5 Fr.

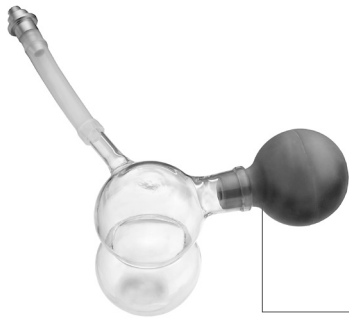
ACCESSORIE



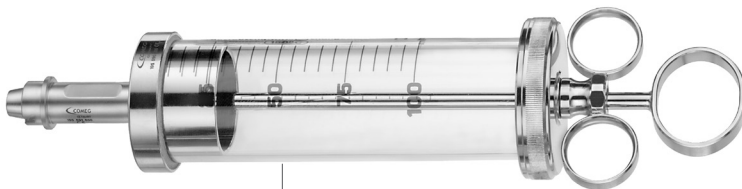
Art.-No.	Description
395 410 006	Insertion mandrel, for catheters

5 ACCESSORIES FOR UROLOGY

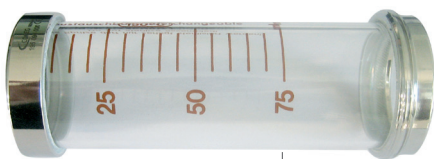
QUICK-LOCK ACCESSORIES



Art.-No.	Description
195 090 500	Evacuator "Ellik" with SOPRO-COMEG adaptor



Art.-No.	Description
195 090 000	RECORD-syringe with SOPRO-COMEG adaptor 75 ml
195 090 100	RECORD-syringe with SOPRO-COMEG adaptor 100 ml
195 090 200	RECORD-syringe with SOPRO-COMEG adaptor 150 ml



Art.-No.	Description
195 090 300	75ml glass cylinder for syringe ref. 195 090 000 or 199 090 000
195 090 301	100ml glass cylinder for syringe ref. 195 090 100 or 199 090 100
195 090 302	150ml glass cylinder for syringe ref. 195 090 200 or 199 090 200

Company

Optics

Cystoscopy

Resectoscopy

Accessories for urology

Urethratomy

Uretero-Renoscropy

Pediatric Urology

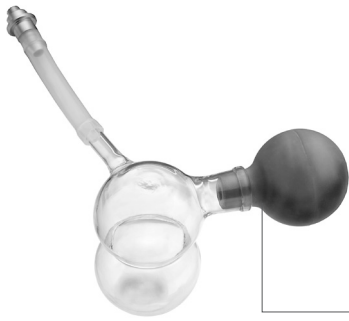
Lithotripsy

Nephroscopy

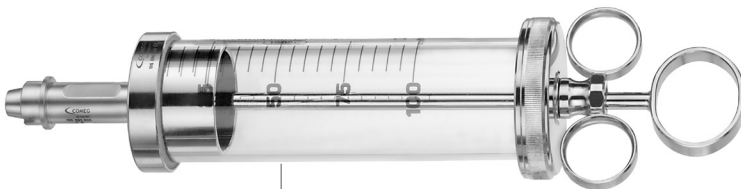
Sterilization
and maintenance

5 ACCESSORIES FOR UROLOGY

SC SERIES ACCESSORIES



Art.-No.	Description
199 090 500	Evacuator "Ellik" with SC series adaptor



Art.-No.	Description
199 090 000	RECORD-syringe with SC series adaptor 75 ml
199 090 100	RECORD-syringe with SC series adaptor 100 ml
199 090 200	RECORD-syringe with SC series adaptor 150 ml



Art.-No.	Description
195 090 501	Silicone bulb for evacuator Ellik ref 199 090 500 or 195 090 500



Art.-No.	Description
195 090 502	Glass receptacle for evacuator Ellik ref 199 090 500 or 195 090 500

5 ACCESSORIES FOR UROLOGY

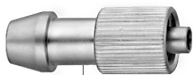
ADAPTERS



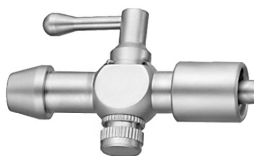
Art.-No.	Description
195 091 001	Quick-Lock adapter with safety lock mechanism



Art.-No.	Description
199 091 000	SC series adapter for RECORD Syringe



Art.-No.	Description
394 000 000	Luer-lock tube connector, male tube diameter 9mm



Art.-No.	Description
394 000 001	Luer-lock connector with stopcock, dismantling



Art.-No.	Description
394 000 002	Catheter adapter without stopcock, Luer-lock



Art.-No.	Description
195 091 500	SOPRO-COMEG adaptor for evacuator



Art.-No.	Description
195 091 000	Quick-Lock adapter for RECORD serynge



Art.-No.	Description
199 091 505	SC series adaptor for evacuator

5 ACCESSORIES FOR UROLOGY

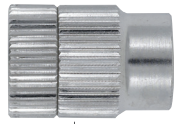
LIGHT CABLES



Art.-No.	Description
S_700215	2.30m, Ø 3.5mm, Xenon light source compatible autoclavable, reinforced sheath Universal model delivered without connector For scope diameter <4mm
S_700384	2.30m, Ø 4.8mm, Xenon light source compatible autoclavable, reinforced sheath Universal model delivered without connector
S_700216	3m, Ø 3.5mm, Xenon light source compatible autoclavable, reinforced sheath Universal model delivered without connector For scope diameter <4mm
S_700382	3m, Ø 4.8mm, Xenon light source compatible autoclavable, reinforced sheath Universal model delivered without connector

5 ACCESSORIES FOR UROLOGY

ENDOSCOPE SIDE CONNECTORS



Art.-No.	Description
700051	Storz/Olympus



Art.-No.	Description
700043	Wolf/S&N

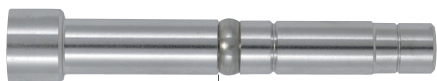


Art.-No.	Description
700048	Acmi/Stryker

LIGHT SOURCE SIDE CONNECTORS



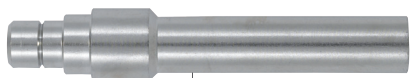
Art.-No.	Description
700044	Storz



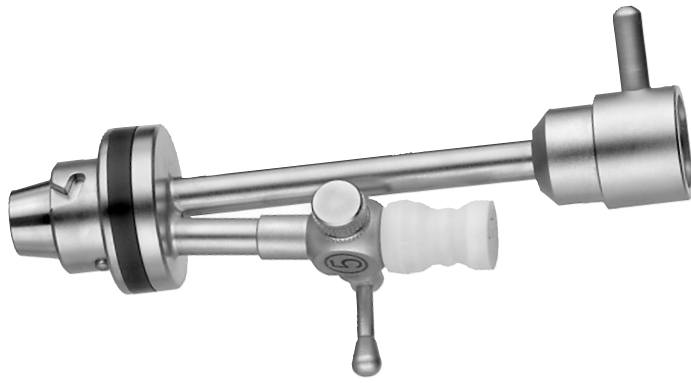
Art.-No.	Description
700045	Olympus



Art.-No.	Description
700046	Wolf/S&N



Art.-No.	Description
700047	Acmi/Stryker

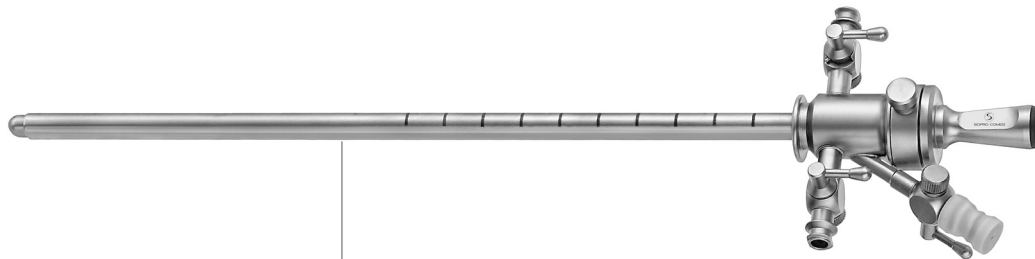


6 URETHROTOMY

Optical urethrotomes	p92
OTIS urethrotome	p96
HF - resectoscope urethrotome	p97
Overview	p99

6 URETHROTOMY

OPTICAL URETHROTOME - QUICK-LOCK



Art.-No.	Description
195 110 050	21 Fr. urethrotomy sheath, Quick-Lock with two fix stopcock with 5Fr. Instrument channel working length 197 mm to use with 4mm telescope 0°, ref. 165 403 000 with Quick-Lock standard obturator ref. 195 110 060 Color code: ■



Art.-No.	Description
195 110 060	21Fr. Standard obturator, Quick-Lock to use with 21Fr. Quick-Lock urethrotomy sheath Color code: ■



Art.-No.	Description
195 110 070	21Fr. Semi-round guide tube for insertion of a balloon catheter to use with 21Fr. Quick-Lock urethrotomy sheath

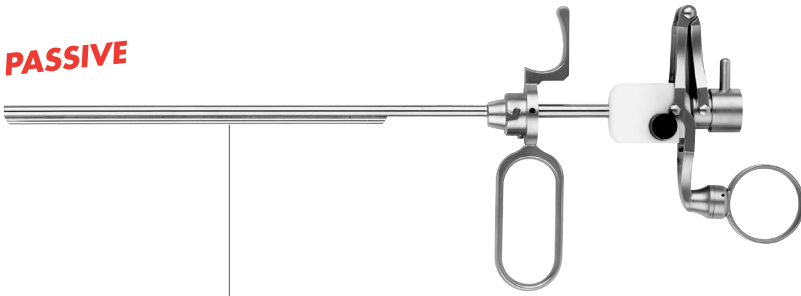


Art.-No.	Description
195 110 080	21Fr. Additional sheath to use with 21Fr. Quick-Lock urethrotomy sheath

6 URETHROTOMY

OPTICAL URETHROTOME - QUICK-LOCK

PASSIVE



Art.-No.	Description
195 020 050	Passive working element, Quick-Look to use with 4mm telescope 0° ref. 165 403 000



Art.-No.	Description
195 115 200	Adapter bridge for diagnostic, Quick-Look with 5Fr. working channel to use with 4mm telescope 0°, ref. 165 403 000



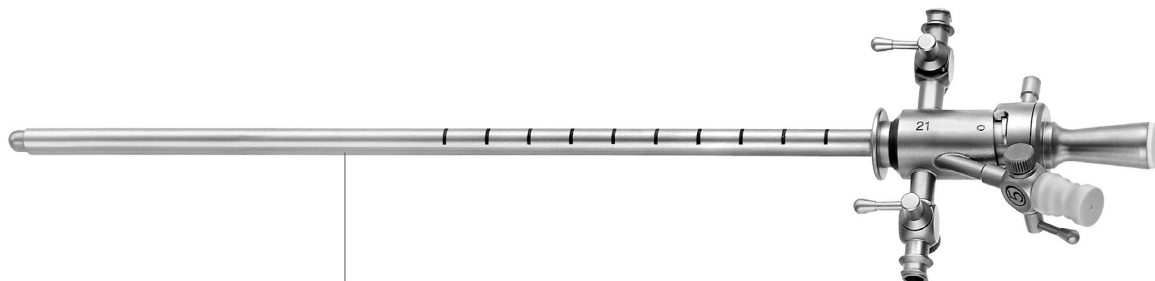
Art.-No.	Description
195 120 001	Urethrotomy knife, Quick-Look straight, cold cutting



Art.-No.	Description
195 120 020	Urethrotomy knife, Quick-Look semi round, cold cutting

6 URETHROTOMY

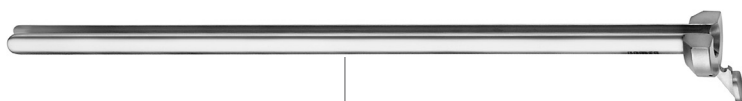
OPTICAL URETHROTOME - SC SERIES



Art.-No.	Description
199 110 050	21 Fr. urethrotomy sheath, SC series with two fix stopcock with 5Fr. Instrument channel working length 197 mm to use with 4mm telescope 0°, ref. 165 403 000 with SC series standard obturator ref. 199 110 060 Color code: ■



Art.-No.	Description
199 110 060	21Fr. Standard obturator, SC series to use with 21Fr. SC series urethrotomy sheath Color code: ■



Art.-No.	Description
199 110 070	21Fr. Semi-round guide tube for insertion of a balloon catheter to use with 21Fr. SC series urethrotomy sheath

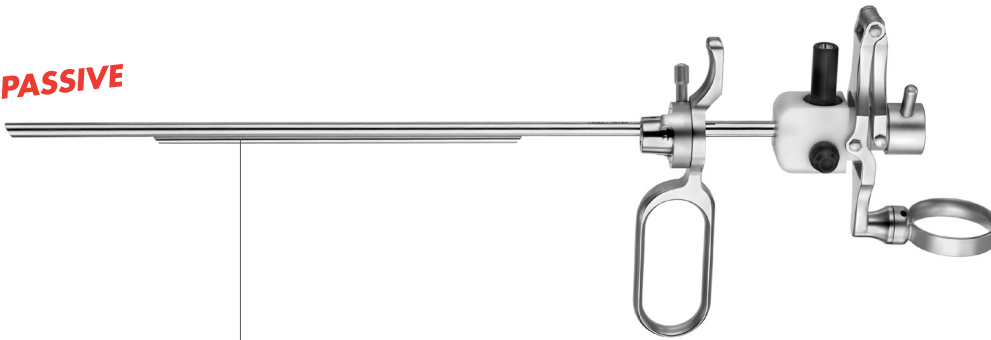


Art.-No.	Description
199 110 080	21Fr. Additional sheath to use with 21Fr. SC series urethrotomy sheath

6 URETHROTOMY

OPTICAL URETHROTOME - SC SERIES

PASSIVE



Art.-No.	Description
199 020 000	Passive working element, SC series to use with 4mm telescope 0° ref. 165 403 000



Art.-No.	Description
199 115 200	SC series adapter bridge for diagnostic with 5Fr. Working channel to use with 4mm telescope 0° ref. 165 403 000



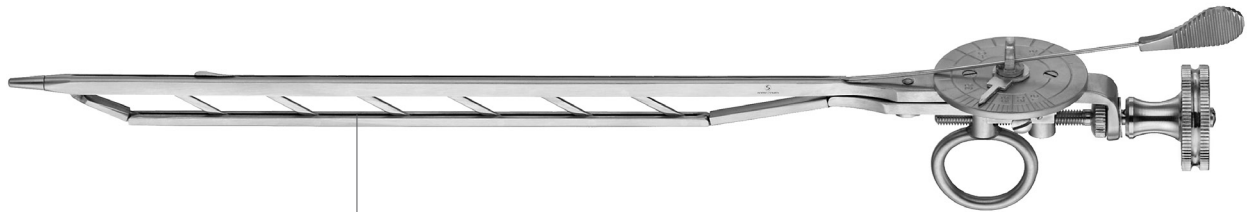
Art.-No.	Description
397 500 037	SC series urethrotomy knife Straight, cold cutting



Art.-No.	Description
397 500 038	SC series urethrotomy knife Semi round, cold cutting

6 URETHROTOMY

OTIS URETHROTOME



Art.-No.	Description
395 160 000	OTIS urethrotome for adults with three interchangeable tips straight, curved, spherical



Art.-No.	Description
395 160 001	Two spare knives for the OTIS urethrotome

Company

Optics

Cystoscopy

Resectoscopy

Accessories for urology

Urethrotomy

Uretero-Renoscropy

Pediatric Urology

Lithotripsy

Nephroscopy

Sterilization
and maintenance

6 URETHROTOMY

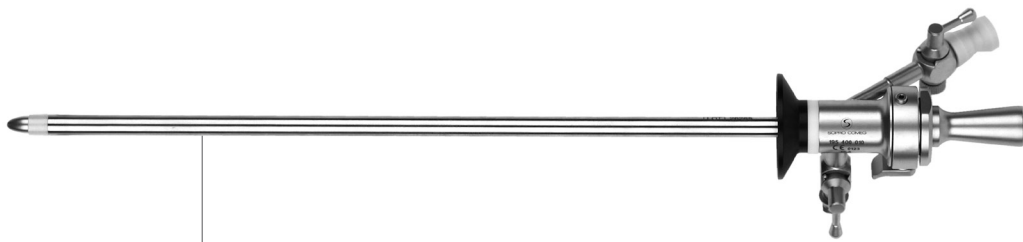
HF - RESECTOSCOPE URETHROTOME - QUICK-LOCK

According to Prof. F. Pagano

Ø 2,9 mm



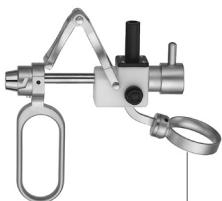
Art.-No.	Description
165 293 000	PAGANO straight forward telescope 0° enlarged view, length 301mm with rod lenses optical system, autoclavable with fiber optic light transmission incorporated Color code: ■
165 293 002	PAGANO forward oblique telescope 30° enlarged view, length 301mm with rod lenses optical system, autoclavable with fiber optic light transmission incorporated Color code: ■



Art.-No.	Description
195 400 010	Sheath "PAGANO" 15.5 Fr. one fix stopcock, working length 192mm with ceramical tip including obturator "PAGANO"



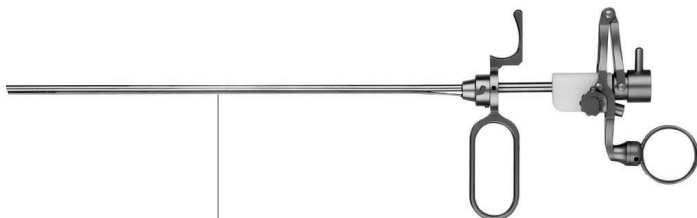
Art.-No.	Description
195 400 050	Standard obturator "PAGANO"



Art.-No.	Description
195 400 000	Working element "PAGANO" standard

6 URETHROTOMY

HF - RESECTOSCOPE URETHROTOME - QUICK-LOCK



Art.-No.	Description
195 400 001	Working element "PAGANO" with laser guidance



Art.-No.	Description
195 400 100	Quick-Lock loop electrode PAGANO bent, size 1



Art.-No.	Description
195 400 101	Quick-Lock loop electrode PAGANO bent, size 2



Art.-No.	Description
195 400 110	Quick-Lock PAGANO urethrotomy knife straight, cold cutting

Company

Optics

Cystoscopy

Resectoscopy

Accessories for urology

Urethrotomy

Uretero-Renoscropy

Pediatric Urology

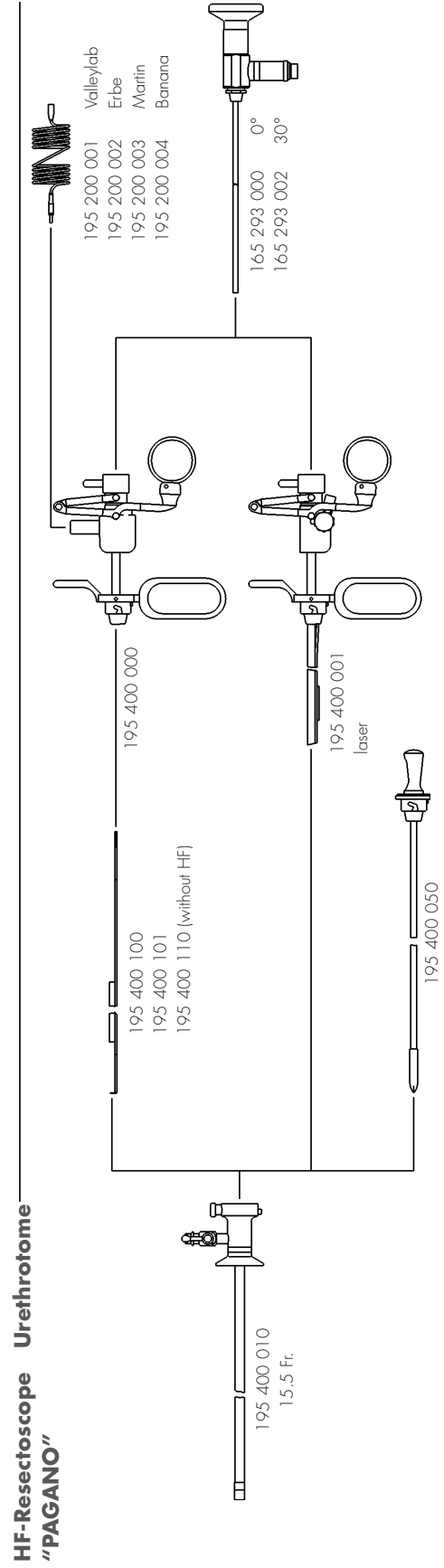
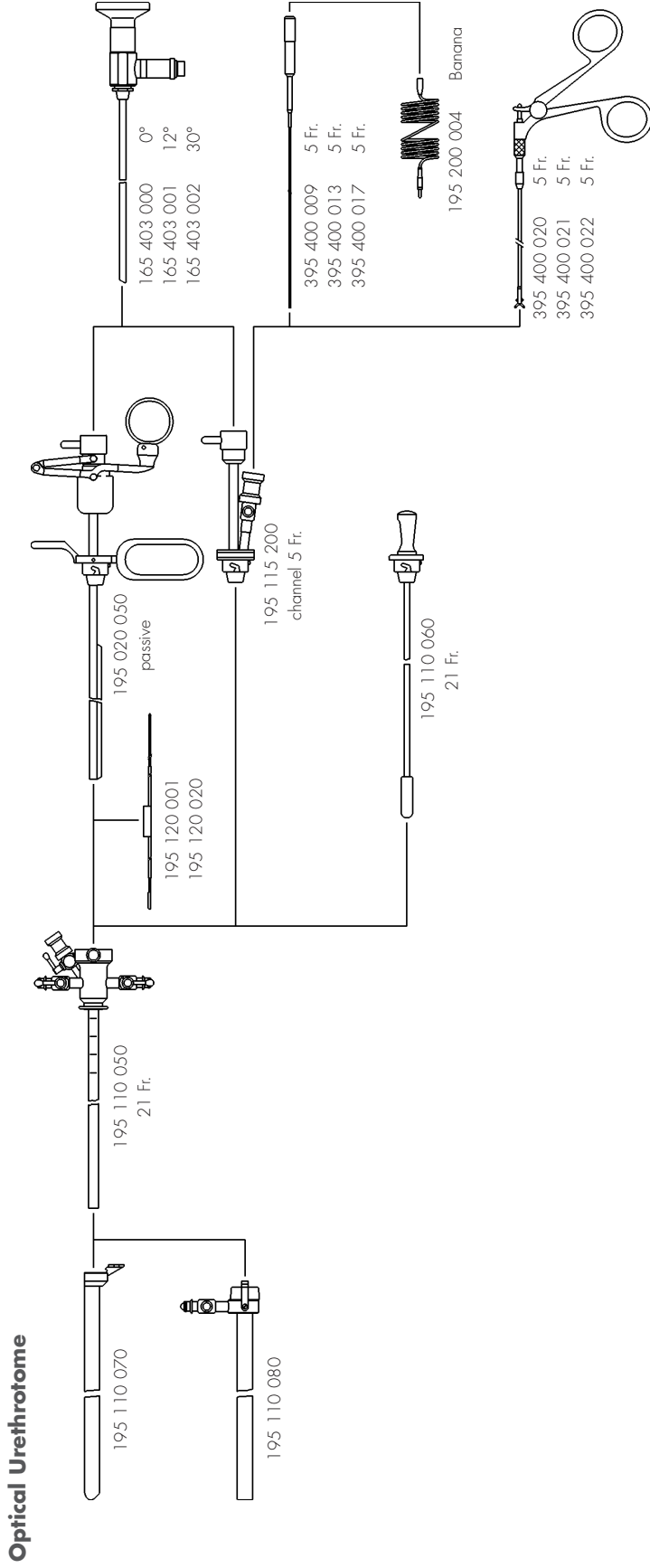
Lithotripsy

Nephroscopy

Sterilization
and maintenance

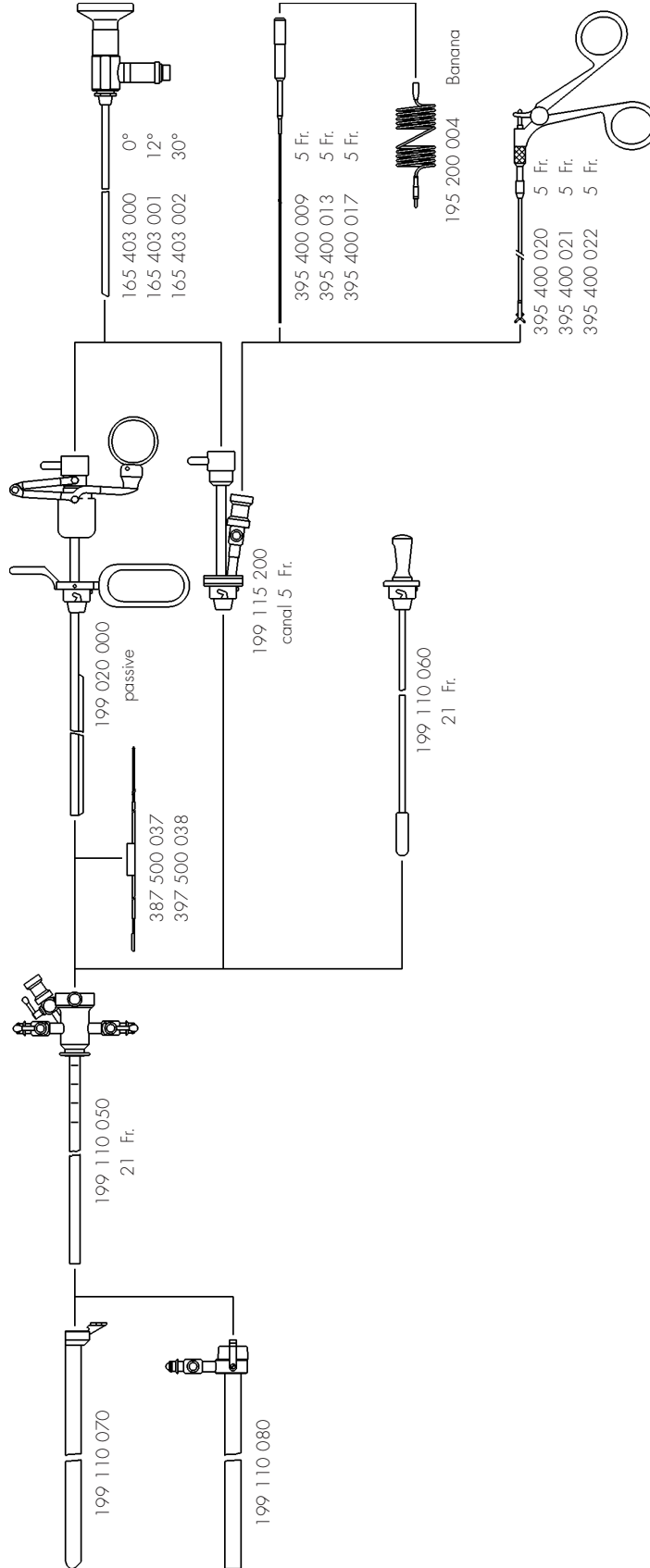
6 URETHROTOMY

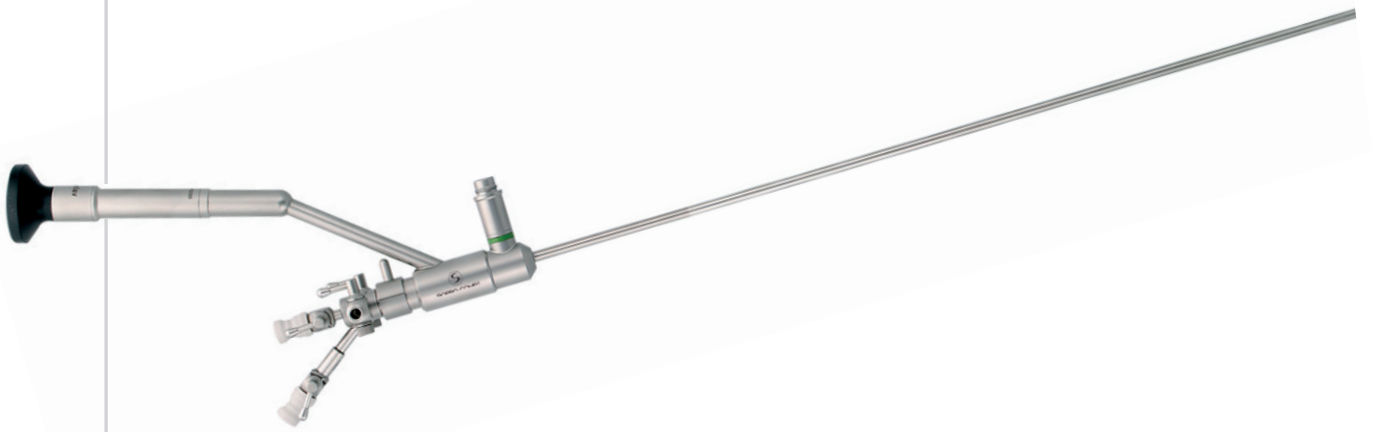
OVERVIEW



6 URETHROTOMY

OVERVIEW SC





7 URETERO-RENSCOPY

Uretero-Renoscopes, Ureteroscopes	p104
Accessories	p107
Stone baskets	p107
Flexible and semi-rigid instrumentation	p108

7

URETERO-RENSCOPY

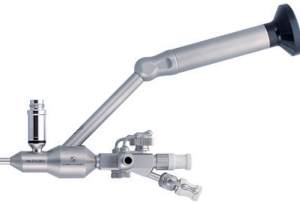
URETERO-RENSCOPIES, URETEROSCOPIES

The SOPRO-COMEG autoclavable uretero-renoscopes are using the best fiber optics technology to provide an excellent resolution. The atraumatic transition from the small to big diameter at the distal end permits a gentle insertion into ostium uteris. The SOPRO-COMEG uretero-renoscopes are available with a stopcock input unit included and a large range of instruments needed to perform uretero-renaloscopy in good conditions.

Features and specifications:

- round shaped distal tip for atraumatic ostium insertion
- distal tip from 6 Fr. to 8.5 Fr.
- instrument channel for use with flexible or rigid instruments up to 5 Fr.
- direction of view 0°, 6° or 12°
- working length 430mm or 315 mm
- Marberger or Bichler angled eyepiece to ensure ergonomics when using instruments or lithotripsy probes.

6 Fr. / 7.5 Fr.



Art.-No.	Description
186 514 001 NEW	Uretero-renaloscope 6 Fr., autoclavable 30.000 pixels resolution, Marberger style working length 430 mm instrument channel 1 x 4 Fr. viewing direction 12° Color code: ■
186 558 001 NEW	Uretero-renaloscope 6 Fr., autoclavable 30.000 pixels resolution, Marberger style working length 315 mm Instrument channel 1 x 4 Fr. Viewing direction 12° Color code: ■

6 Fr. / 7.5 Fr.



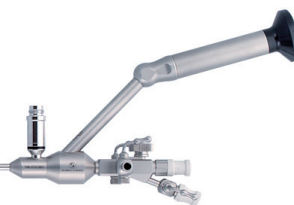
Art.-No.	Description
186 528 001 NEW	Uretero-renaloscope 6 Fr., autoclavable 30.000 pixels resolution, Bichler style working length 430 mm Instrument channel 1 x 4 Fr. Viewing direction 12° Color code: ■
186 552 001 NEW	Uretero-renaloscope 6 Fr., autoclavable 30.000 pixels resolution, Bichler style working length 315 mm Instrument channel 1 x 4 Fr. Viewing direction 12° Color code: ■

7

URETERO-RENSCOPY

URETERO-RENSCOPIES, URETEROSCOPIES

8 Fr. / 9.8 Fr.



Art.-No.	Description
186 070 001 NEW	Uretero-renaloscope 8 Fr., autoclavable 30.000 pixels resolution, Marberger style working length 430 mm Instrument channel 1 x 5 Fr. Viewing direction 12° Color code: ■
186 069 001 NEW	Uretero-renaloscope 8 Fr., autoclavable 30.000 pixels resolution, Marberger style working length 315 mm Instrument channel 1 x 5 Fr. Viewing direction 12° Color code: ■

8 Fr. / 9.8 Fr.



Art.-No.	Description
186 403 001 NEW	Uretero-renaloscope 8 Fr., autoclavable 30.000 pixels resolution, Bichler style working length 430 mm Instrument channel 1 x 5 Fr. Viewing direction 12° Color code: ■
186 395 001 NEW	Uretero-renaloscope 8 Fr., autoclavable 30.000 pixels resolution, Bichler style working length 315 mm Instrument channel 1 x 5 Fr. Direction of view 12° Color code: ■

7

URETERO-RENOSCOPY

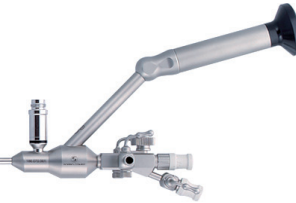
URETERO-RENOSCOPES, URETEROSCOPES

8.5 Fr. / 11 Fr.



Art.-No.	Description
185 900 100	Uretero-renaloscope 8.5 Fr., autoclavable 50.000 pixels resolution, Marberger style working length 425 mm instrument channel 1 x 6 Fr. direction of view 0° Color code: ■

8.5 Fr. / 11.5 Fr.



Art.-No.	Description
186 405 001 NEW	Uretero-renaloscope 8.5 Fr., autoclavable 30.000 pixels resolution, Marberger style working length 430 mm Instrument channel 1 x 6 Fr. Direction of view 12° Color code: ■
186 404 001 NEW	Uretero-renaloscope 8.5 Fr., autoclavable 30.000 pixels resolution, Marberger style working length 315 mm Instrument channel 1 x 6 Fr. Direction of view 12° Color code: ■

8.5 Fr. / 11.5 Fr.



Art.-No.	Description
186 407 001 NEW	Uretero-renaloscope 8.5 Fr., autoclavable 30.000 pixels resolution, Bichler style working length 430 mm Instrument channel 1 x 6 Fr. Direction of view 12° Color code: ■
186 406 001 NEW	Uretero-renaloscope 8.5 Fr., autoclavable 30.000 pixels resolution, Bichler style working length 315 mm Instrument channel 1 x 6 Fr. Direction of view 12° Color code: ■

7

URETERO-RENOSCOPY

ACCESSORIES



Art.-No.	Description
195 185 900	Adapter for Lithoclast® To use with uretero-roscope ref. 185 900 100 and ref. 185 900 101



Art.-No.	Description
195 185 800	Adapter for Calcusplit® To use with uretero-roscope ref. 185 900 100 and ref. 185 900 101



Art.-No.	Description
195 186 900 NEW	Adapter for Lithoclast® To use with 30K pixels uretero-scopes

STONE BASKETS



Art.-No.	Description
395 400 100	5 Fr. reusable basket for stone removal, 4 wires 60cm working length



Art.-No.	Description
395 400 101	5 Fr. reusable basket for stone removal, 6 wires 60cm working length



Art.-No.	Description
395 400 120 NEW	3 Fr. reusable basket for stone removal, monofil - single action, autoclavable - 60 cm working length



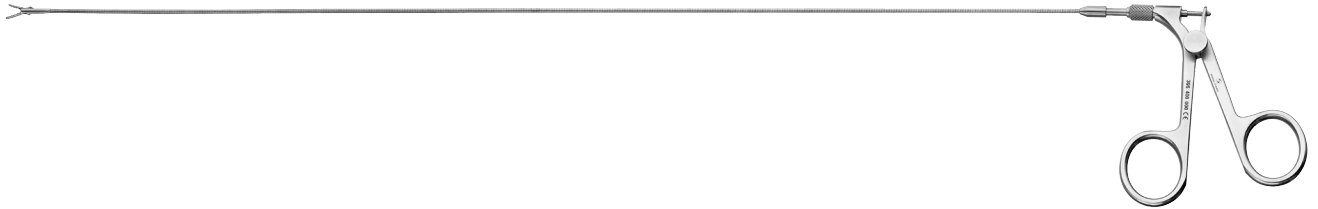
Art.-No.	Description
395 400 121 NEW	5 Fr. reusable basket for stone removal, monofil - single action, autoclavable - 60 cm working length

7

URETERO-RENSCOPY

FLEXIBLE AND SEMI-RIGID INSTRUMENTATION

Flexible instrumentation



Semi-rigid instrumentation



Art.-No.	Description
395 400 102	5 Fr. flexible forceps for removal of foreign body double action jaws, autoclavable, flexible 60 cm working length
395 400 105	5 Fr. semi rigid forceps for removal of foreign body double action jaws, autoclavable, rigid 60 cm working length
395 400 137 NEW	4 Fr. flexible forceps for removal of foreign body double action jaws, autoclavable, flexible 60 cm working length
395 400 138 NEW	4 Fr. semi rigid forceps for removal of foreign body double action jaws, autoclavable, rigid 60 cm working length



Art.-No.	Description
395 400 103	5 Fr. flexible biopsy forceps double action jaws, autoclavable, flexible 60 cm working length
395 400 106	5 Fr. semi rigid biopsy forceps double action jaws, autoclavable, rigid 60 cm working length
395 400 133 NEW	4 Fr. flexible biopsy forceps double action jaws, autoclavable, flexible 60 cm working length
395 400 134 NEW	4 Fr. semi rigid biopsy forceps double action jaws, autoclavable, rigid 60 cm working length

7

URETERO-RENOSCOPY

FLEXIBLE AND SEMI-RIGID INSTRUMENTATION



Art.-No.	Description
395 400 104	5 Fr. flexible scissors single action jaws, autoclavables, flexible 60 cm working length
395 400 107	5 Fr. semi rigid scissors single action jaws, autoclavables, rigid 60 cm working length
395 400 135 NEW	4 Fr. flexible scissors single action jaws, autoclavables, flexible 60 cm working length
395 400 136 NEW	4 Fr. semi rigid scissors single action jaws, autoclavables, rigid 60 cm working length



Art.-No.	Description
390 700 420 NEW	5 Fr. Flexible Grasping Forceps for stone fragments double action jaws, autoclavable. 60 cm working length
390 700 430 NEW	5 Fr. Semi rigid Grasping forceps stone fragments double action jaws, autoclavable. 60 cm working length
395 400 122 NEW	4 Fr. Flexible Grasping Forceps for stone fragments double action jaws, autoclavable. 60 cm working length
395 400 125 NEW	4 Fr. Semi rigid Grasping Forceps for stone fragments double action jaws, autoclavable. 60 cm working length



Art.-No.	Description
395 400 128 NEW	5 Fr. Flexible Grasping Forceps for stone street 8mm double action jaws, autoclavable. 60 cm working length
395 400 130 NEW	5 Fr. Semi rigid Grasping forceps for stone street 8mm double action jaws, autoclavable. 60 cm working length
395 400 123 NEW	4 Fr. Flexible Grasping Forceps for stone street 8mm double action jaws, autoclavable. 60 cm working length
395 400 126 NEW	4 Fr. Semi rigid Grasping Forceps for stone street 8mm double action jaws, autoclavable. 60 cm working length

7

URETERO-RENSCOPY

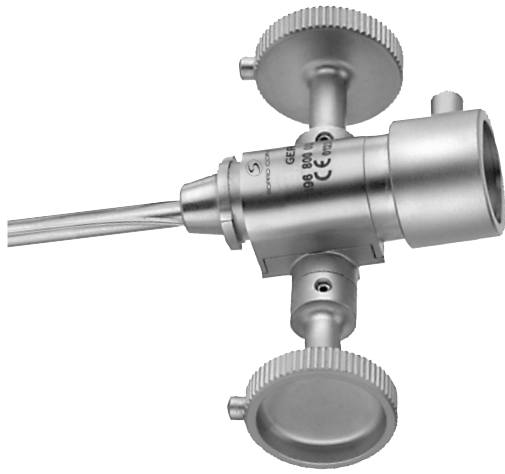
FLEXIBLE AND RIGID INSTRUMENTATION



Art.-No.	Description
395 400 129 NEW	5 Fr. Flexible Grasping Forceps cup, serrated 4mm double action jaws, autoclavable. 60 cm working length
395 400 042 NEW	5 Fr. Semi rigid Grasping Forceps cup, serrated 4mm double action jaws, autoclavable. 60 cm working length
395 400 124 NEW	4 Fr. Flexible Grasping Forceps cup, serrated 4mm double action jaws, autoclavable. 60 cm working length
395 400 127 NEW	4 Fr. Semi rigid Grasping Forceps cup, serrated 4mm double action jaws, autoclavable. 60 cm working length



Art.-No.	Description
395 700 036 NEW	5 Fr. 3 Prongs retriever double action jaws, autoclavable. 60 cm working length
395 400 119 NEW	3 Fr. 3 Prongs retriever double action jaws, autoclavable. 60 cm working length



8 PEDIATRIC UROLOGY

Pediatric urology	p114
Pediatric cystoscopy	p115
Pediatric resectoscopy	p117
HF electrodes	p118
Monopolar HF cable	p119
Pediatric urethrotomy	p120
Overview	p122

8 PEDIATRIC UROLOGY

PEDIATRIC UROLOGY

Ø 1.9/ 2.1 mm



Art.-No.	Description
165 211 870	Infant straight forward telescope 0° enlarged view, length 186 mm with rod lenses optical system autoclavable with fiber optic light transmission incorporated for use with Working element Art.-No.196 810 000 Color code: ■

Ø 2,7 mm



Art.-No.	Description
165 271 870	Miniature straight forward telescope 0° enlarged view, length 186mm with rod lenses optical system autoclavable with fiber optic light transmission incorporated Color code: ■
165 271 872	Miniature forward oblique telescope 30° enlarged view, length 187mm with rod lenses optical system autoclavable with fiber optic light transmission incorporated Color code: ■
165 271 875	Miniature lateral telescope 70° enlarged view, length 188mm with rod lenses optical system autoclavable with fiber optic light transmission incorporated Color code: ■

8 PEDIATRIC UROLOGY

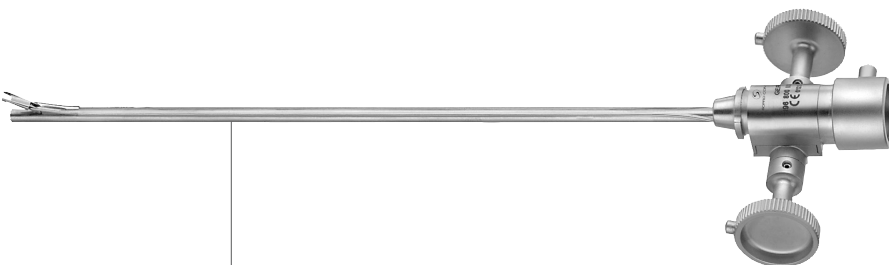
PEDIATRIC CYSTOSCOPY



Art.-No.	Description
196 810 101	11 Fr. Infant cystoscopy sheath with two fix stopcock with 3 Fr. instrument channel working length 111 mm to use with 1.8/2.1mm telescope 0°, ref. 165 211 870 with standard obturator ref. 196 810 111
196 800 100	13.5 Fr. Pediatric cystoscopy sheath with two fix stopcock with 3 Fr. instrument channel working length 111 mm to use with 2.7mm telescope 30°&70°, ref. 165 271 872 & 165 271 875 with standard obturator ref. 196 810 110



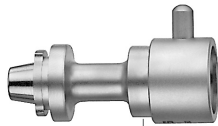
Art.-No.	Description
196 810 111	11 Fr. Infant standard obturator to use with 11Fr. infant cystoscopy sheath
196 800 110	13.5 Fr. Pediatric standard obturator to use with 13.5Fr. pediatric cystoscopy sheath



Art.-No.	Description
196 810 000	Albarran deflector mechanism to use with 1.9/2.1mm infant telescope ref. 165 211 870 to use with infant cystoscopy sheath ref. 196 810 101
196 800 000	Albarran deflector mechanism to use with 2.7mm pediatric telescope ref. 165 271 872 & 167 271 875 to use with pediatric cystoscopy sheath ref. 196 800 100

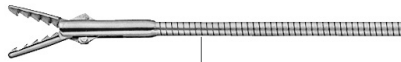
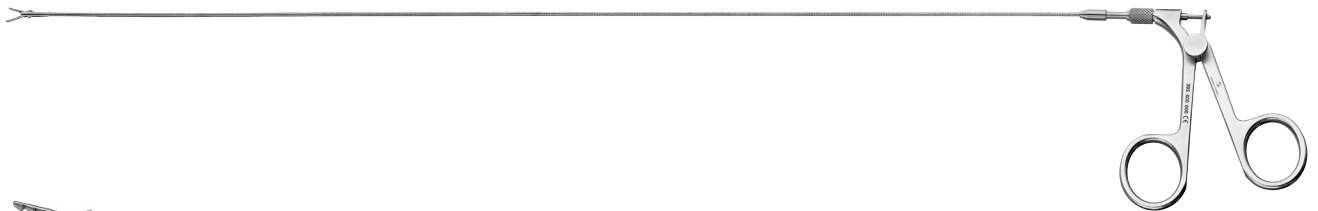
8 PEDIATRIC UROLOGY

PEDIATRIC CYSTOSCOPY

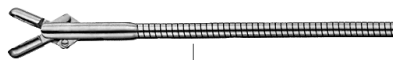


Art.-No.	Description
196 810 150	Infant adapter bridge for diagnostic to use with 1.9/2.1mm infant telescope ref. 165 211 870 to use with infant cystoscopy sheaths ref. 196 810 101
196 800 150	Pediatric adapter bridge for diagnostic to use with 2.7mm pediatric telescope ref. 165 271 872 & 167 271 875 to use with pediatric cystoscopy sheath ref. 196 800 100

Flexible instrumentation



Art.-No.	Description
395 800 001	3 Fr. flexible forceps for removal of foreign body double action jaws, autoclavable 30 cm working length



Art.-No.	Description
395 800 002	3 Fr. flexible biopsy forceps double action jaws, autoclavable 30 cm working length

8 PEDIATRIC UROLOGY

PEDIATRIC RESECTOSCOPY

PASSIVE



Art.-No.	Description
195 800 000	Infant and pediatric passive working element, Quick-Lock to use with 1.8/2.1mm telescope 0°, ref. 165 211 870 and 2.7mm telescope 0°, ref. 165 271 870 to use with infant and pediatric resectoscopy sheath



Art.-No.	Description
195 810 101	11 Fr. infant resectoscopy sheath, Quick-Lock with one fix stopcock working length 111 mm to use with 1.8/2.1mm telescope 0°, ref. 165 211 870 with standard obturator ref. 196 810 111
196 800 100	13.5 Fr. pediatric resectoscopy sheath, Quick-Lock with one fix stopcock working length 111 mm to use with 2.7mm telescope 0°, ref. 165 271 870 with standard obturator ref. 196 800 110



Art.-No.	Description
195 810 111	11Fr. infant standard obturator, Quick-Lock to use with 11Fr. infant resectoscopy sheath
195 800 110	13.5Fr. pediatric standard obturator, Quick-Lock to use with 13.5Fr. pediatric resectoscopy sheath

8 PEDIATRIC UROLOGY

ONE STEM MONOPOLAR HF ELECTRODES WITH STABILIZER



Art.-No.	Description
195 800 120	Loop, dented, 13.5 Fr. Size 1
195 810 120	Loop, dented, 11Fr. Size 1



Art.-No.	Description
195 800 130	Loop, dented, 13.5 Fr. Size 2
195 810 130	Loop, dented, 11 Fr. Size 2



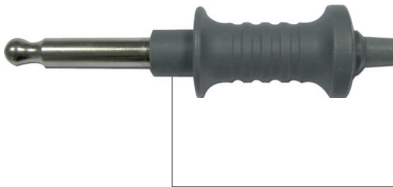
Art.-No.	Description
195 800 140	Knife, 13.5 Fr.
195 810 140	Knife, 11 Fr.



Art.-No.	Description
195 800 150	Ball, 13.5 Fr.
195 810 150	Ball, 11 Fr.

8 PEDIATRIC UROLOGY

MONOPOLAR HF CABLES



Art.-No.	Description
195 200 001	Monopolar high frequency cable 300 cm length for SOPRO-COMEG monopolar electrodes and monopolar resection working element with 8 mm banana plug to connect with electro surgery units model Valleylab and Karl Storz



Art.-No.	Description
195 200 002	Monopolar high frequency cable 300 cm length for SOPRO-COMEG monopolar electrodes and monopolar resection working element with 5 mm plug to connect with electro surgery units model Karl Storz and Erbe ACC/ ICC



Art.-No.	Description
195 200 003	Monopolar high frequency cable 300 cm length for SOPRO-COMEG monopolar electrodes and monopolar resection working element with 4 mm plug to connect with electro surgery units model Martin, Berchtold and Aesculap



Art.-No.	Description
195 200 004	Monopolar high frequency cable 300 cm length for SOPRO-COMEG monopolar electrodes and monopolar resection working element with 4 mm banana plug to connect with electro surgery units model Martin, Berchtold, Erbe T serie and others

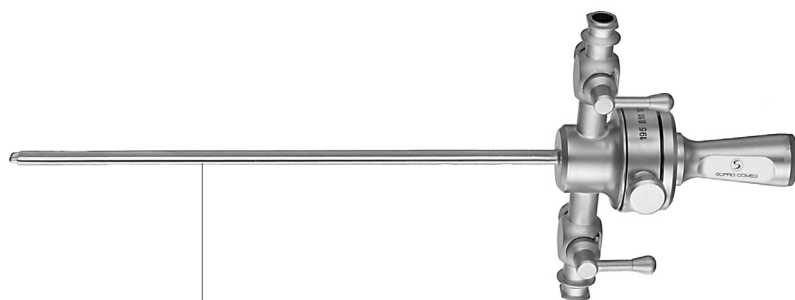
8 PEDIATRIC UROLOGY

PEDIATRIC URETHROTOMY - QUICK-LOCK

PASSIVE



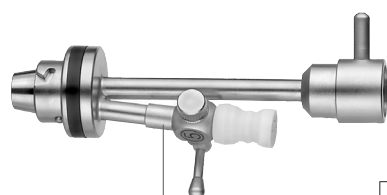
Art.-No.	Description
195 810 000	Infant and pediatric urethrotome passive working element, Quick-Lock to use with 1.8/2.1mm telescope 0°, ref 165 211 870 and 2.7mm telescope 0°, ref 165 271 870 to use with 10 Fr. infant Quick-Lock urethrotomy sheath



Art.-No.	Description
195 810 102	10 Fr. infant urethrotomy sheath, Quick-Lock with two fix stopcock working length 109 mm to use with 1.9/2.1mm telescope 0°, ref 165 211 870 with Quick-Lock standard obturator ref. 195 810 112



Art.-No.	Description
195 810 112	10Fr. infant standard obturator, Quick-Lock to use with 10Fr. Quick-Lock infant urethrotomy sheath



Art.-No.	Description
195 810 103	Pediatric adapter bridge for diagnostic, Quick-Lock with 3Fr. working channel to use with 2.7mm telescope 0°, ref 165 271 870 to use with Quick-Lock infant urethrotomy sheaths

8 PEDIATRIC UROLOGY

PEDIATRIC URETHROTOMY - QUICK-LOCK



Art.-No.	Description
195 810 121	Quick-Lock pediatric urethrotomy knife straight, cold cutting



Art.-No.	Description
195 810 122	Quick-Lock pediatric urethrotomy knife semi-round, cold cutting

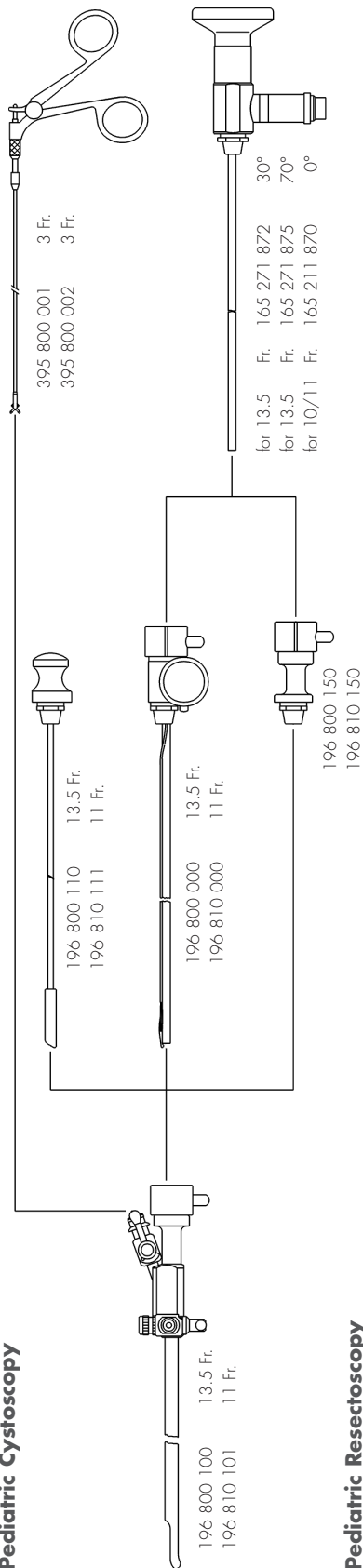


Art.-No.	Description
195 810 123	Quick-Lock pediatric urethrotomy knife sickle shaped, cold cutting

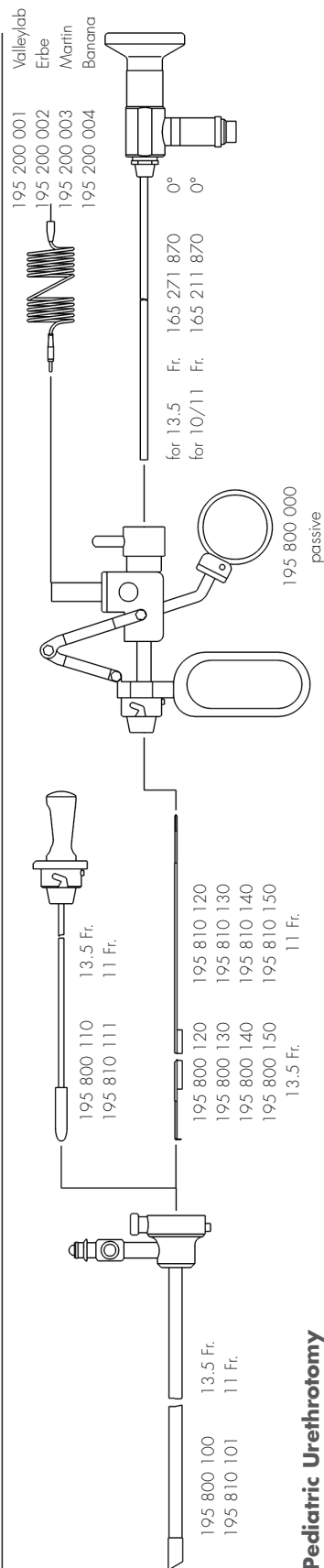
8 PEDIATRIC UROLOGY

OVERVIEW

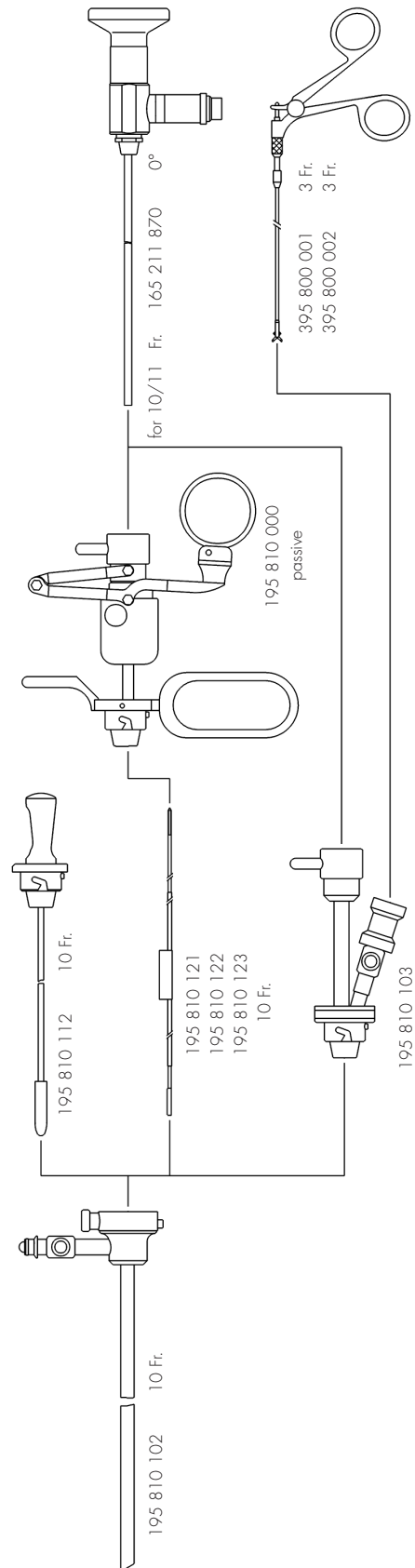
Pediatric Cystoscopy

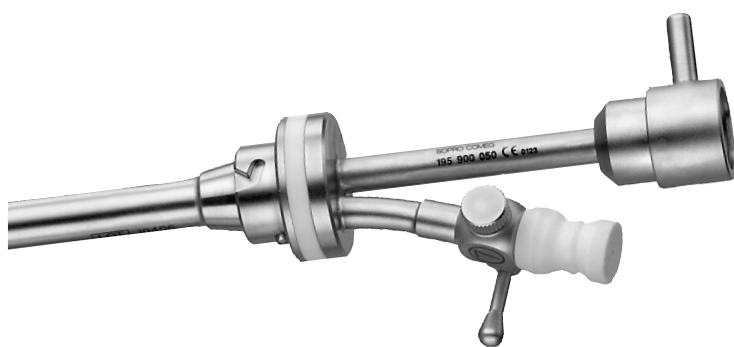


Pediatric Resectoscopy



Pediatric Urethrotomy





9 LITHOTRIPSY

Telescopes and working element. p126

Sheath and obturators. p127

9 LITHOTRIPSY

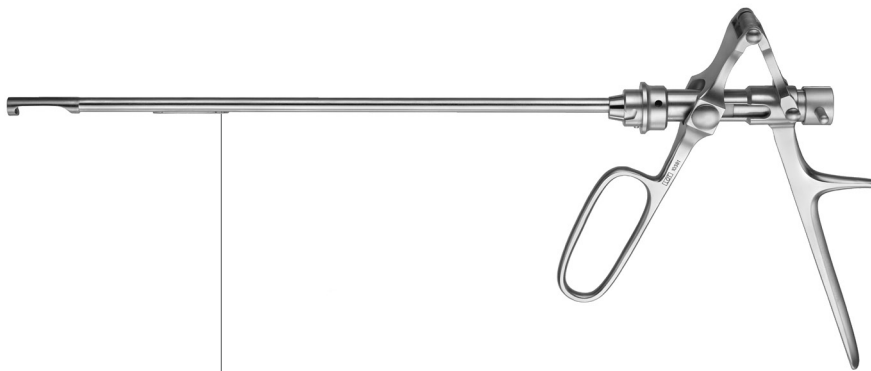
TELESCOPES AND WORKING ELEMENT

Bigger stones can be smashed with the stone punch to pieces easily removable by suction.



∅ 4 mm

Art.-No.	Description
165 403 000	Straight forward telescope 0° enlarged view, length 301mm with rod lenses optical system autoclavable with fiber optic light transmission incorporated Color code: ■
165 403 001	Straight forward telescope 12° enlarged view, length 301mm with rod lenses optical system autoclavable with fiber optic light transmission incorporated Color code: ■
165 403 002	Forward oblique telescope 30° enlarged view, length 301mm with rod lenses optical system autoclavable with fiber optic light transmission incorporated Color code: ■



Art.-No.	Description
195 900 000	Quick-Lock punch working element to use with 4mm telescope 0°, ref. 165 403 000, 165 403 001 & 165 403 002 to use with Quick-Lock lithotripsy sheath ref. 195 900 020

9 LITHOTRIPSY

SHEATH AND OBTURATORS



Art.-No.	Description
195 900 020	25 Fr. lithotripsy sheath, Quick-Lock with two fix stopcock working length 224 mm to use with 4mm telescope 0°, ref. 165 403 000, 165 403 001 & 165 403 002 with Quick-Lock standard obturator ref. 195 900 070 Color code: <input type="checkbox"/>



Art.-No.	Description
195 900 070	25Fr. standard obturator, Quick-Lock to use with 25Fr. Quick-Lock lithotripsy sheath ref. 195 900 020 Color code: <input checked="" type="checkbox"/>



Art.-No.	Description
195 900 050	25Fr. visual obturator, Quick-Lock with 7Fr. Workink channel to use with 25Fr. Quick-Lock lithotripsy sheath ref. 195 900 020 Color code: <input type="checkbox"/>

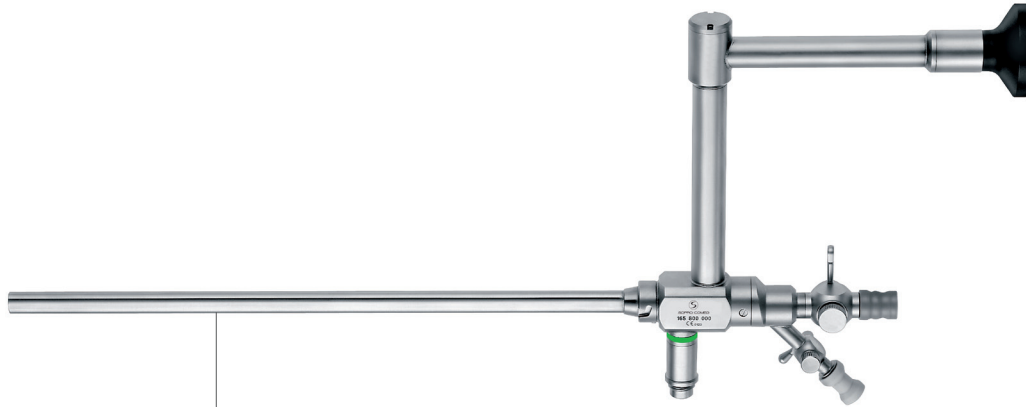


10 NEPHROSCOPY

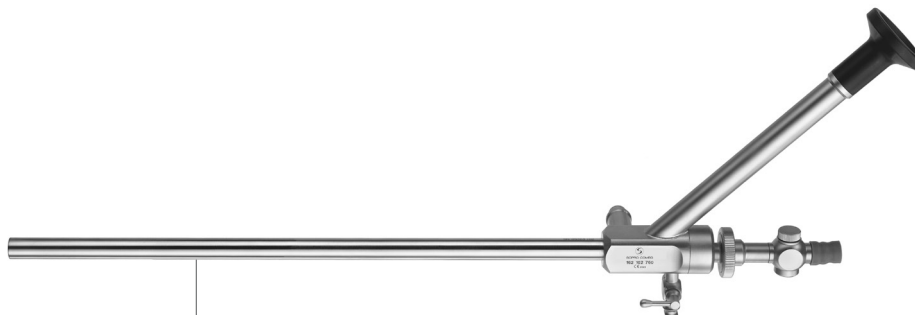
Percutaneous nephroscopesp130
Rigid instrumentationp132

10 NEPHROSCOPY

PERCUTANEOUS NEPHROSCOPES



Art.-No.	Description
165 800 000	Straight forward nephroscope 0°, with parallel eyepiece 8,3mm x 6mm outer size, length 222mm with rod lenses optical system autoclavable, with fiber optic light transmission incorporated with 13Fr. working channel with Quick-Lock connection for use with Quick-Lock inflow sheath ref.195 800 030 Color code: ■
165 800 002	Oblique forward nephroscope 25°, with parallel eyepiece 8,3mm x 6mm outer size, length 226mm with rod lenses optical system autoclavable, with fiber optic light transmission incorporated with 13Fr. working channel with Quick-Lock connection for use with Quick-Lock inflow sheath ref.195 800 010 Color code: ■



Art.-No.	Description
165 802 630	Straight forward nephroscope 0°, with oblique eyepiece 8,3mm x 5,25mm outer size, length 264mm with rod lenses optical system autoclavable, with fiber optic light transmission incorporated with 13Fr. working channel with SC connection for use with SC inflow sheath ref. 199 040 540 Color code ■

Company

Optics

Cystoscopy

Resectoscopy

Accessories for urology

Urethrotomy

Uretero-Renoscropy

Pediatric Urology

Lithotripsy

Nephroscopy

Sterilization and maintenance

10 NEPHROSCOPY

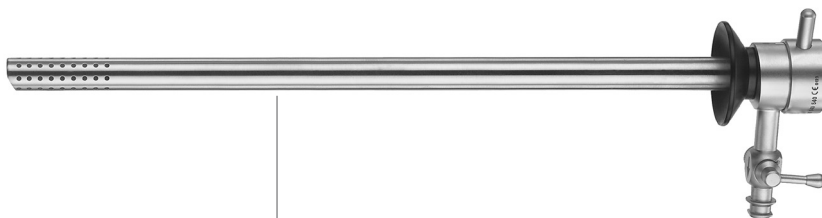
PERCUTANEOUS NEPHROSCOPES



Art.-No.	Description
195 800 030	27 Fr. Nephroscopy sheath, Quick-Lock with one rotatable stopcock working length 207 mm to use with nephroscope 0° ref. 165 800 000 with Quick-Lock standard obturator ref. 195 800 020 Color code: ■
195 800 010	27 Fr. Nephroscopy sheath, Quick-Lock with one rotatable stopcock working length 213 mm to use with nephroscope 25 ° ref. 165 800 002 with Quick-Lock standard obturator ref. 195 800 020 Color code: ■



Art.-No.	Description
195 800 060	Nephroscope adapter bridge for diagnostic, Quick-Lock to use nephroscope ref. 165 800 630 with nephroscopy sheath ref. 195 800 030



Art.-No.	Description
199 040 540	26Fr. Outer sheath, SC series with surrounding perforation, with one fix stopcock, working length 200mm to use with 24Fr. SC series inner sheath ref. 199 030 540 to use with all SC series working elements

10 NEPHROSCOPY

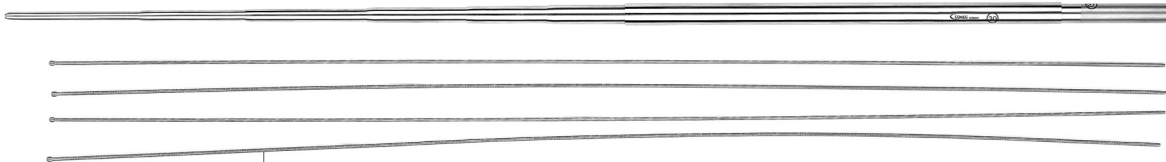
PERCUTANEOUS NEPHROSCOPES



Art.-No.	Description
195 800 050	27Fr. Nephroscopy standard obturator, Quick-Lock with 3Fr. Working channel to use with 27Fr. Quick-Lock nephroscopy sheath Color code: ■



Art.-No.	Description
195 800 040	Laserguide



Art.-No.	Description
195 800 050	Dilation set 8 tubes from 9 to 30 Fr 2 flexibles and 2 rigid guidewires

Company

Optics

Cystoscopy

Resectoscopy

Accessories for urology

Urethrotomy

Uretero-Renoscropy

Pediatric Urology

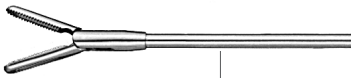
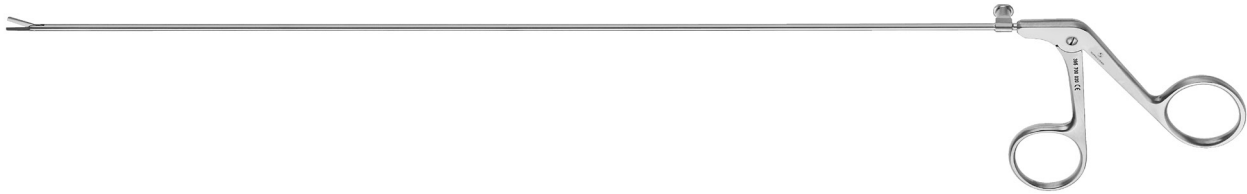
Lithotripsy

Nephroscopy

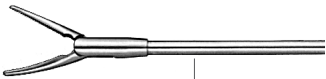
Sterilization
and maintenance

10 NEPHROSCOPY

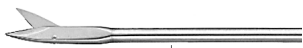
RIGID INSTRUMENTATION



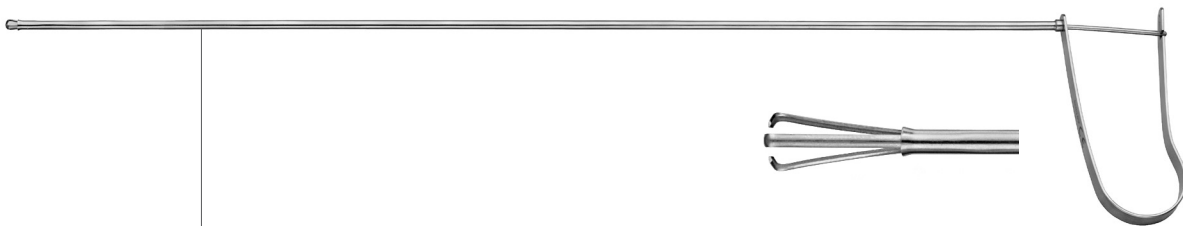
Art.-No.	Description
395 700 000	9 Fr. Rigid grasping forceps for removal of stone fragments double action jaws, fenestrated, autoclavable irrigation port in tube metal handle 30 cm working length



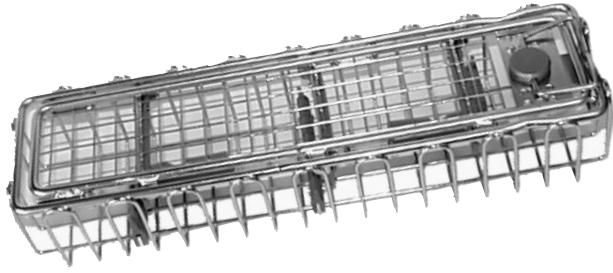
Art.-No.	Description
395 700 010	9 Fr. Rigid grasping forceps for removal of stone fragments double action jaws, slim and curved autoclavable irrigation port in tube metal handle 30 cm working length



Art.-No.	Description
395 700 020	9 Fr. Rigid micro scissors single action jaws, straight autoclavable cut 3.5mm, metal handle 30 cm working length



Art.-No.	Description
395 700 030	9 Fr. Triradiate grasper for large stone fragments Jaws with fixation spikes, straight U-spring handle, autoclavable 30 cm working length

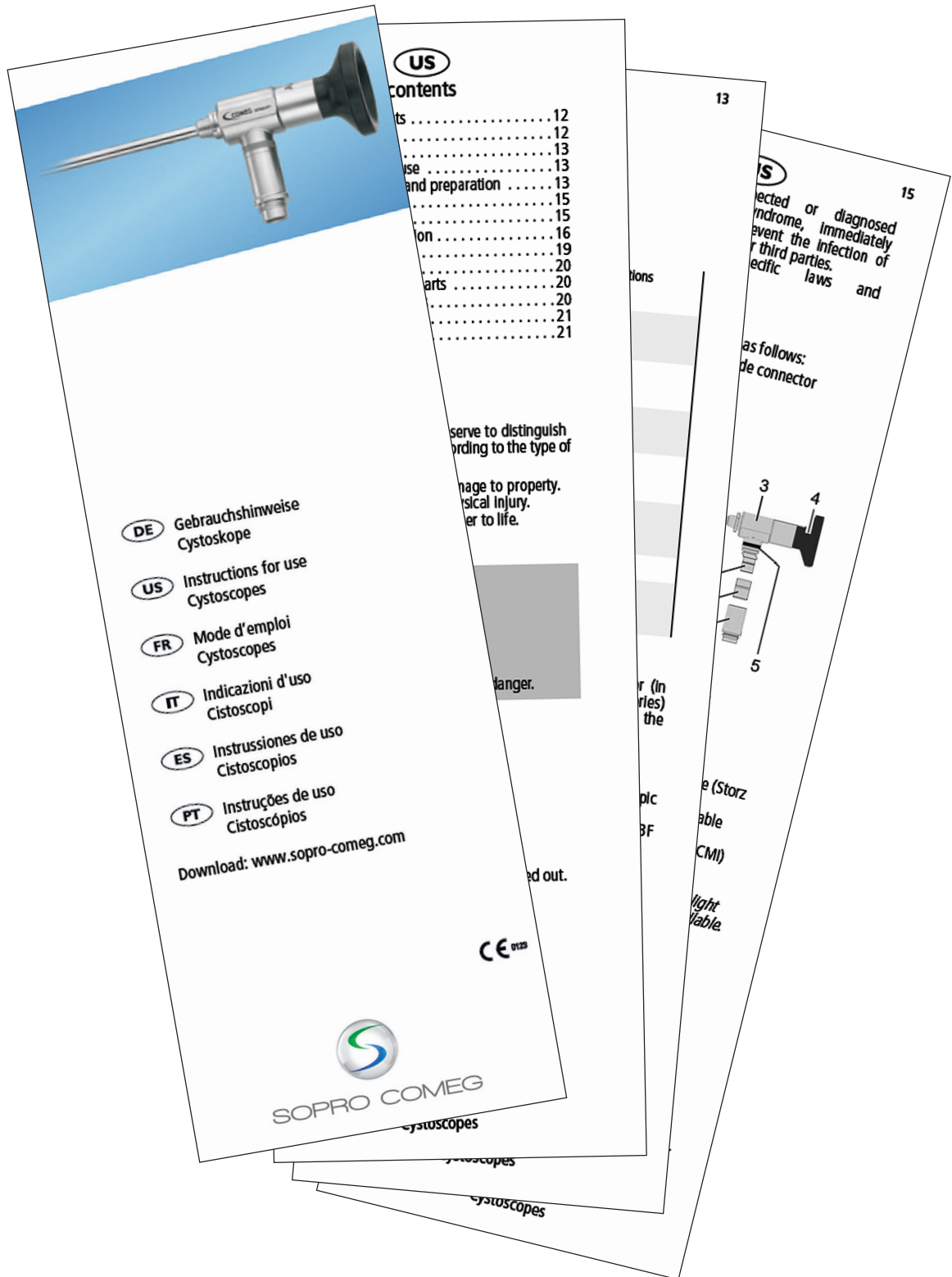


11 MAINTENANCE, CLEANING AND STERILIZATION

General information	p136
Handling instructions for telescopes	p137
Sterilization baskets	p138

GENERAL INFORMATION

All our products are delivered with a IFU (Instruction for Use) where you will find all proper advices as far as maintenance, cleaning and sterilization are concerned.



HANDLING INSTRUCTIONS FOR TELESCOPES

The telescopes are intended to be used according to the general instructions and only by instructed or trained medical personnel.

Service and maintenance may just be performed by authorized service personnel.

Prior and after each use on the telescopes a visual and functional inspection for completeness, optical quality, rough surfaces, sharp edges and prominent parts has to be performed. Immediately after each use the telescopes have to be cleaned and disinfected.

Special care has to be taken to scopes with working channel. It must be ensured that the solution for disinfection reaches all areas within the narrow working channel.

For the adjacent sterilization process the telescopes must be free of contaminations and residues of the agent.

In order to be compatible to other products and to allow combinations please make sure that the intended use and technical parameters (working length, diameter, connection type, etc.) match and do not adversely affect the performance and the safety requirements.

Please refer to applicable instruction manuals.

As with any optical device, SOPRO-COMEG telescopes are fragile and should be handled with care. In order to avoid damage or loss of quality the following instructions concerning handling, storing and transportation have to be followed:

- Always hold the endoscope by its eyepiece or body part!
- If possible, store the endoscopes individually!
- Avoid contact between the glass parts and other instruments or surfaces!
- The telescopes may under no circumstances be exposed to Gamma radiation! The image quality can be adversely affected!
- Do not drop the endoscope and do not bend the tube, or otherwise add mechanical stress!

Conditions of use, storage and transport:

Use: +10° C to +134° C, 30% to 100 % rel. humidity, pressure 700 hP to 2000 hP
Storage/ Transport: -20° C to +60° C, 10% to 90 % rel. humidity, pressure 700 hP to 1060 hP

Safety information:

Check and sterilize instrument prior to any use. In case of any doubt return instrument to manufacturer for investigation and safety check. Disposal of product please refer to the specific regulations of your country.

Handling: In case you do not have the current version of the Handling and Instruction Guide we would be pleased to send a copy upon request.

Combinations: A requirement for common use with other products is the correspondence in intended use and the technical specifications (working length, diameter, etc.). Further information you will find in our product catalogues.

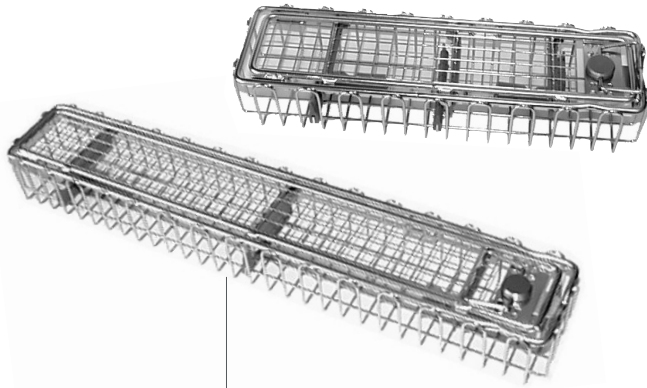
Warranty: For the warranty time please look at our general trade conditions. Excluded from warranty are misuse, incorrectly cleaning, maintenance and repair, normal wear and tear and defects, known at the time of session.

Prior to each use and/or returning to the manufacturer the products have to be cleaned and sterilized according to this maintenance instructions.

11

STERILIZATION AND MAINTENANCE

STERILIZATION BASKETS



Include a cover and a silicone endoscope holder for easier handling during treatment (cleaning, sterilization, etc.) maximum protection against damages suitable for steam, gas and plasma sterilization.

Art.-No.	Description
390 400 100	Sterilization basket With silicone holder Size 290 x 80 x 52mm
390 400 110	Sterilization basket With silicone holder Size 460 x 80 x 52mm
390 400 130	Sterilization basket With silicone holder Size 458 x 166 x 82mm
390 400 150	Sterilization basket With silicone holder Size 640 x 150 x 77mm



Art.-No.	Description
191 402 061	Plastic sterilization tube for endoscope For steam sterilization Box of 10 units



Art.-No.	Description
195 101 000	Sterilization tube for electrodes For steam sterilization

STERILIZATION BASKETS



Art.-No.	Description
390 400 160	Plastic sterilization box For steam sterilization Delivered with a silicone mat Size 530 x 255 x 67mm

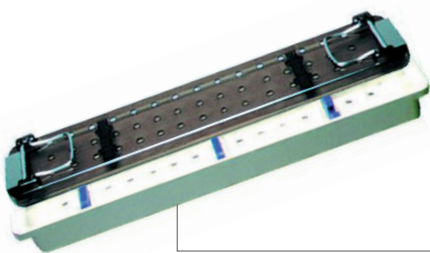


Art.-No.	Description
390 400 170	Plastic sterilization box For steam sterilization Delivered with a silicone mat and an internal tray Size 530 x 255 x 110mm
391 309 000	Plastic sterilization box for the bipolar resectoscope For steam sterilization Delivered with a silicone mat Size 530 x 255 x 115mm



Art.-No.	Description
390 400 180	Plastic sterilization box For steam sterilization Delivered with a silicone mat and two internal trays Size 530 x 255 x 140mm

PLASTIC STERILIZATION BOXES



Art.-No.	Description
390 400 190	Plastic sterilization box for two telescopes Size 394 x 70 x 35mm
390 400 200	Plastic sterilization box for two telescopes Size 457 x 70 x 35mm



SOPRO COMEG

EVERYWHERE

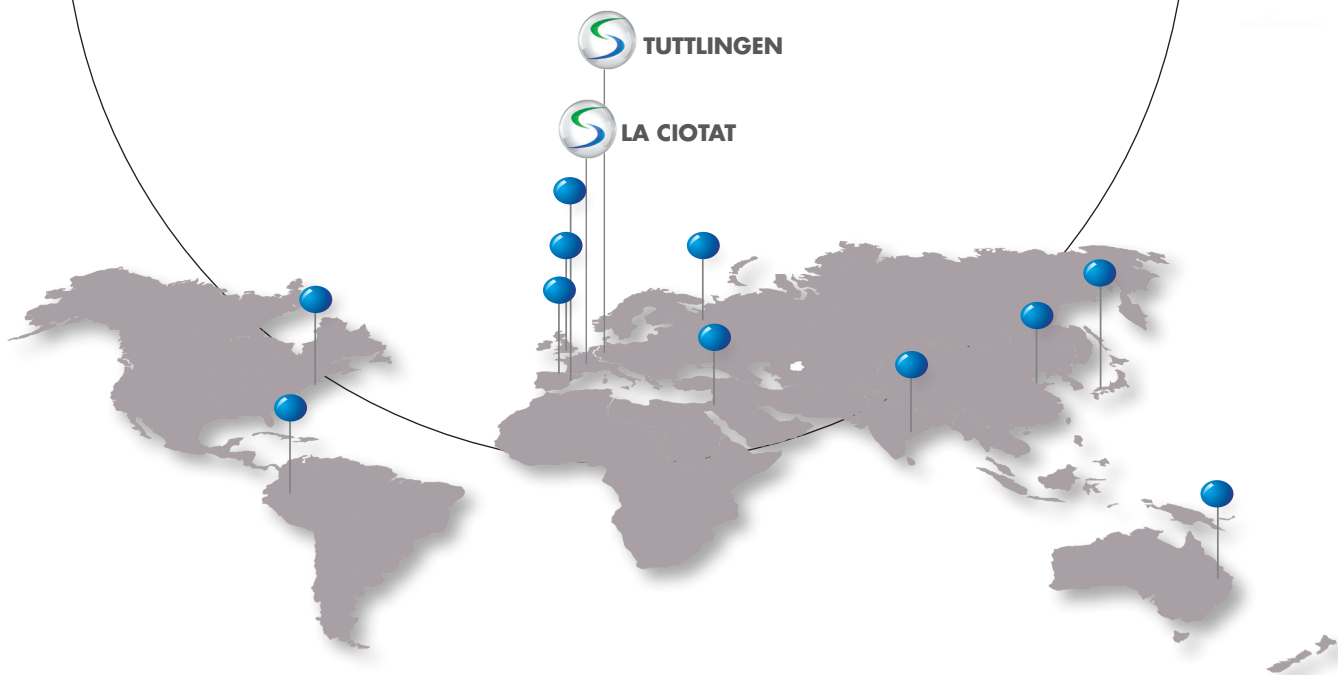
Worldwide centres to ease and fasten the service of our complete product line

ALWAYS

Dedicated to medical improvement for more than 40 years

AT YOUR SIDE

Direct and quick communication with our local sales force. National placed inventory to ensure quick delivery time



TUTTLINGEN

LA CIOTAT

SOPRO SA - ZAC Athélia IV - Avenue des Génévriers
13705 La Ciotat cedex - France
Tél. +33 (0) 442 98 01 01 - Fax +33 (0) 442 71 76 90

SOPRO-COMEG GmbH - Dornierstr. 55
D-78532 Tuttlingen - Germany
Tel. +49 (0) 7661-9344-0 - Fax +49 (0) 7461-9344-21

www.sopro-comeg.com